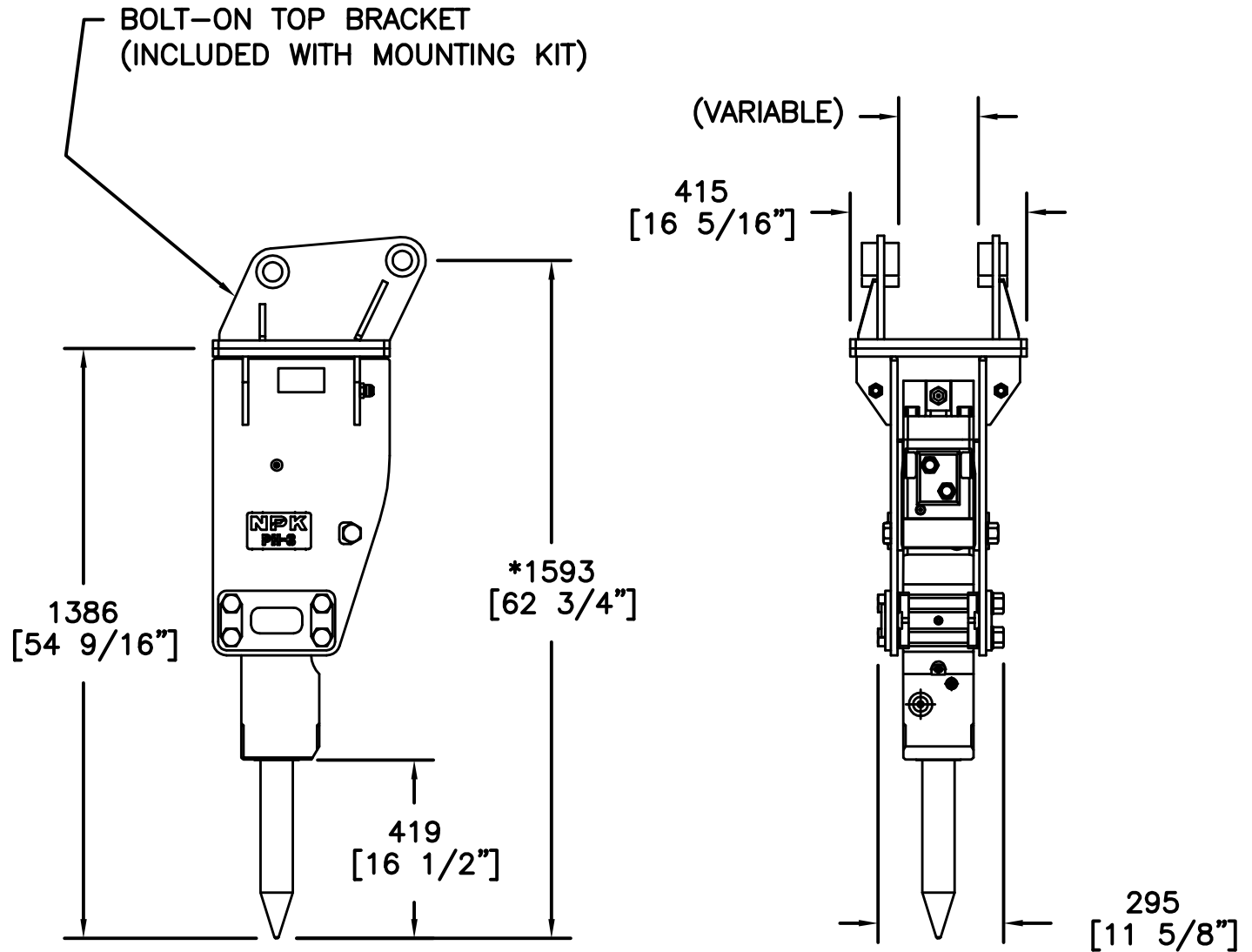


NPK

CONSTRUCTION EQUIPMENT, INC.

7550 INDEPENDENCE DRIVE
WALTON HILLS, OHIO 44146
PHONE: (440) 232-7900
FAX: (440) 232-4382

PH-3 STD GENERAL DIMENSIONS



DO NOT SCALE DRAWING

SPECIFICATIONS SUBJECT TO CHANGE WITHOUT NOTICE

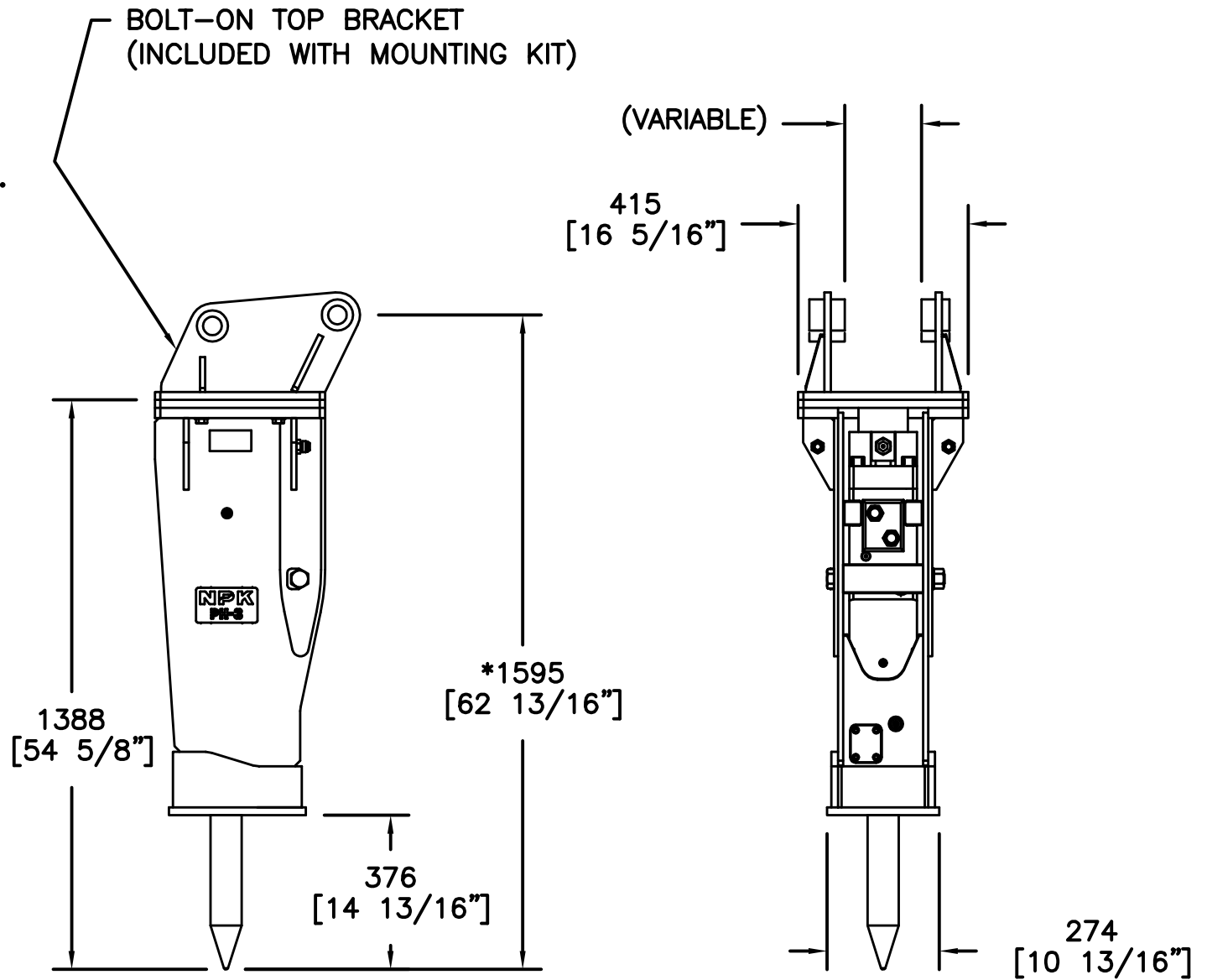
* THIS DIMENSION MAY DIFFER ON
SOME ASSEMBLIES DUE TO TOP
BRACKET VARIATION.

NPK

CONSTRUCTION EQUIPMENT, INC.

7550 INDEPENDENCE DRIVE
WALTON HILLS, OHIO 44146
PHONE: (440) 232-7900
FAX: (440) 232-4382

PH-3 ENVIRO GENERAL DIMENSIONS

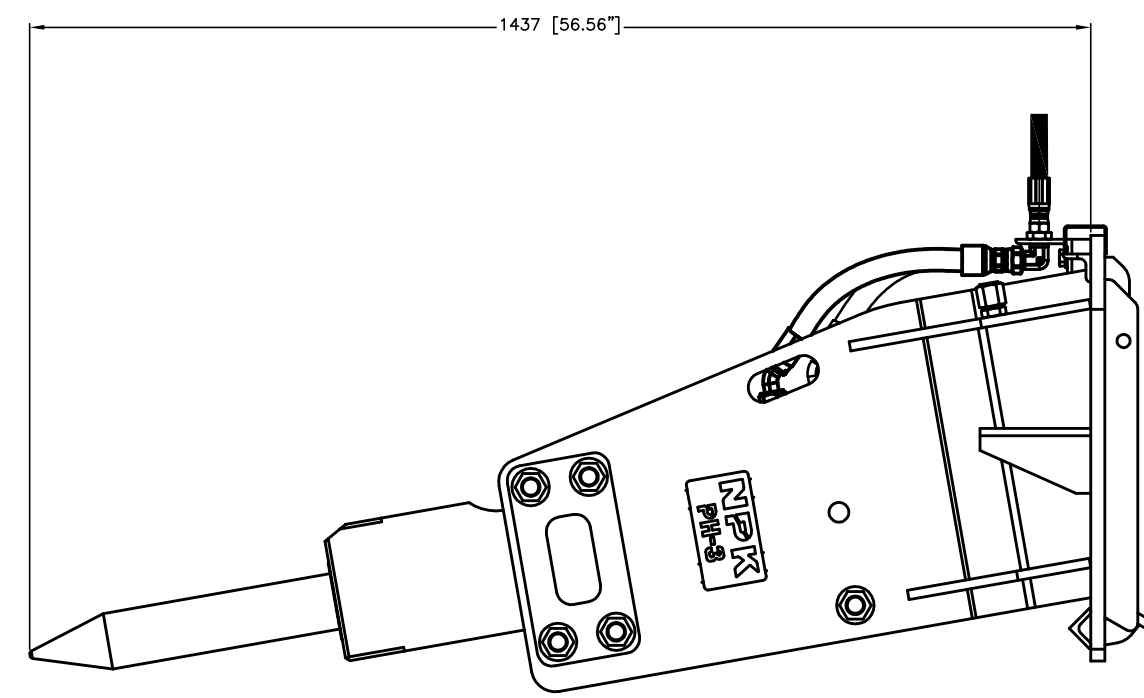
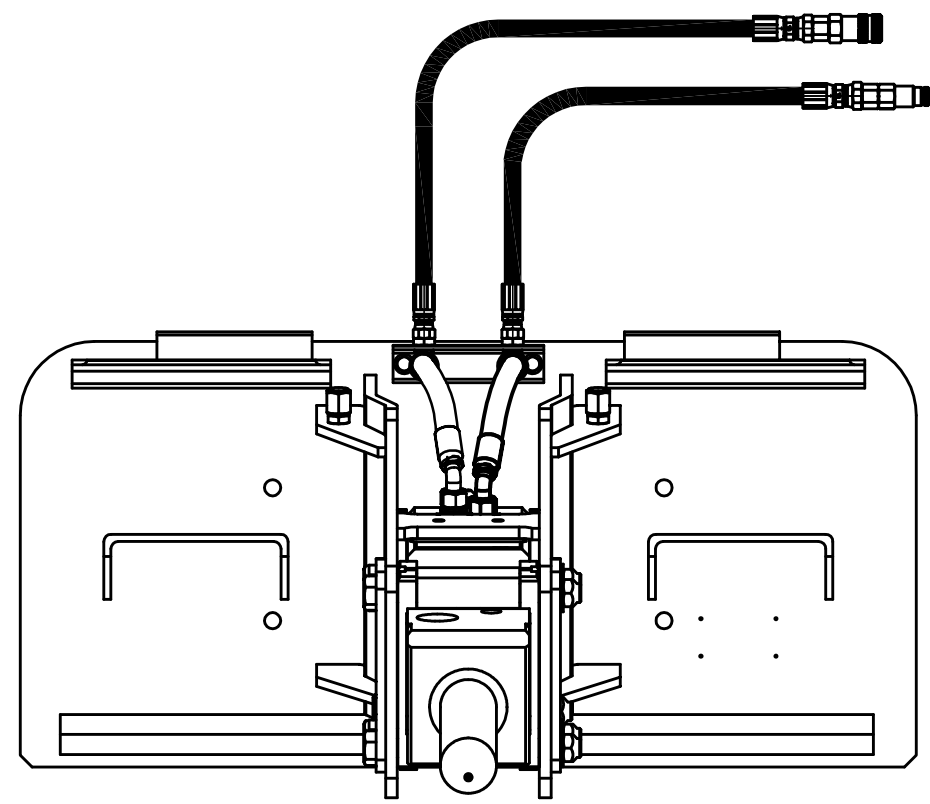


DO NOT SCALE DRAWING

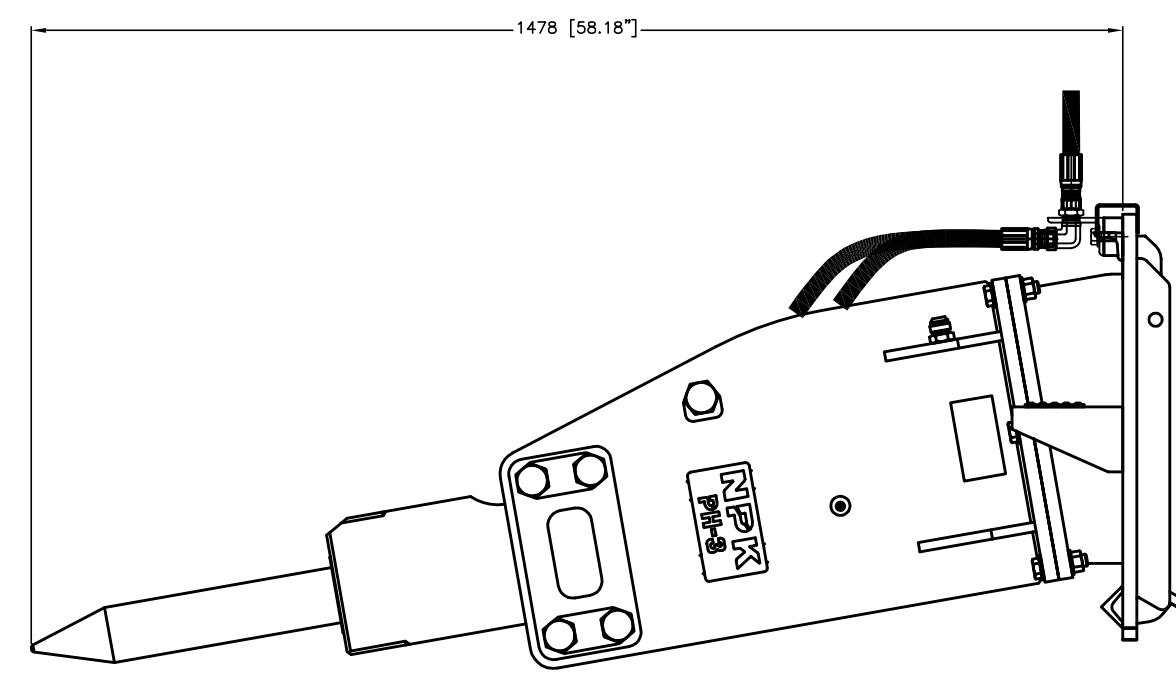
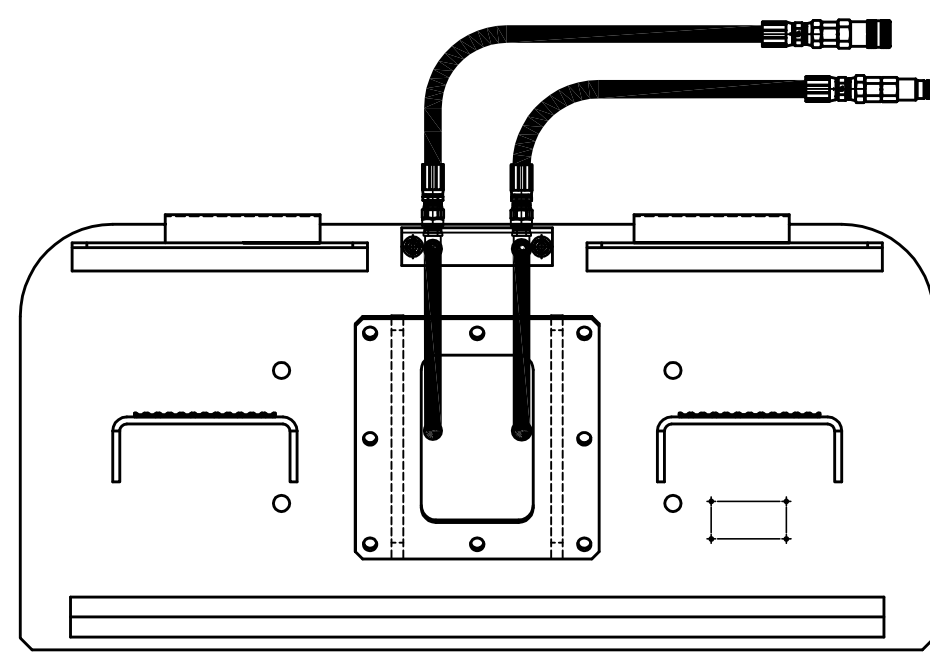
SPECIFICATIONS SUBJECT TO CHANGE WITHOUT NOTICE

* THIS DIMENSION MAY DIFFER ON
SOME ASSEMBLIES DUE TO TOP
BRACKET VARIATION.

REV	ECN	DATE	DESCRIPTION



PH3
1-PIECE
Op. Weight = 1050 lbs



PH3
2-PIECE
Op. Weight = 1175 lbs

METRIC TOLERANCES UNLESS OTHERWISE SPECIFIED: DIMENSIONS X mm = ±1.50 mm X.X mm = ±0.80 mm X.XX mm = ±0.25 mm ALL DIMENSIONS OVER 1000 mm X mm = ±2.50 mm ANGLES ±2° SURFACE ROUGHNESS 125 μin.	INTERPRET GD&T PER ASME Y14.5M-1994 THIRD ANGLE PROJECTION	DRAWN BY: KAB DATE: 10/4/16	7550 INDEPENDENCE DRIVE WALTON HILLS, OHIO 44146 TEL (440) 232-7900 FAX (440) 232-4382
	REFERENCE NUMBER SUPERSEDES	COPYRIGHT © 2001 NPK CONSTRUCTION EQUIPMENT, INC. THIS INFORMATION IS TO BE USED FOR THE SPECIFIC PURPOSE FOR WHICH IT IS PROVIDED. IT IS PROVIDED ON A CONFIDENTIAL BASIS AND IS THE PROPERTY OF NPK CONSTRUCTION EQUIPMENT, INC. THE REPRODUCTION AND USE OF THIS INFORMATION WITHOUT THE EXPRESSED WRITTEN CONSENT OF NPK CONSTRUCTION EQUIPMENT, INC. IS STRICTLY PROHIBITED.	TITLE PH3 SKID STEER BRACKET COMPARISON