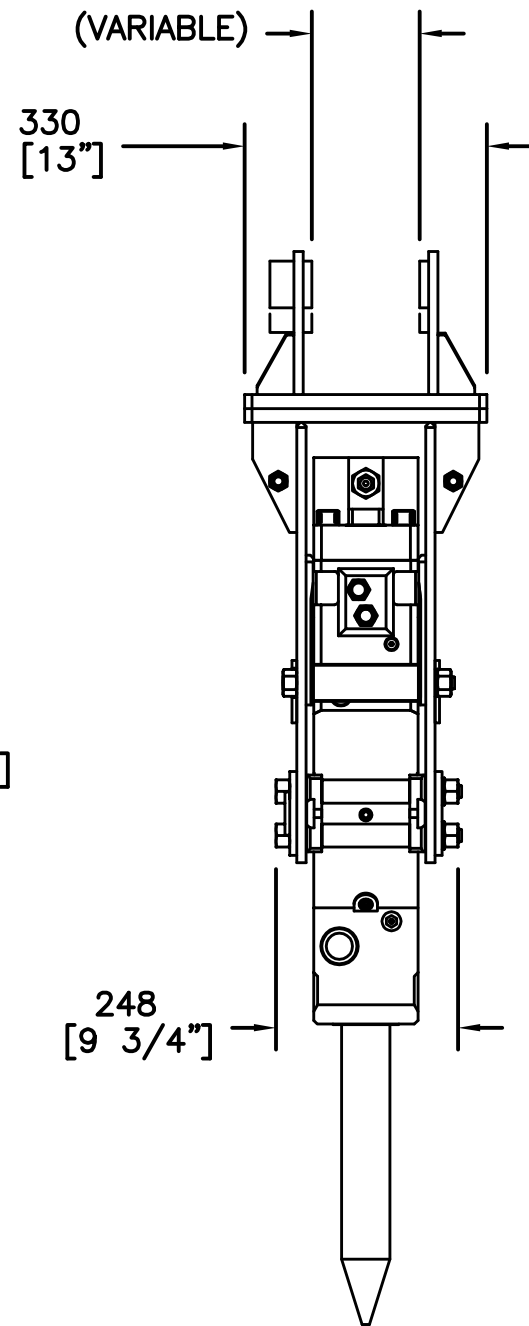
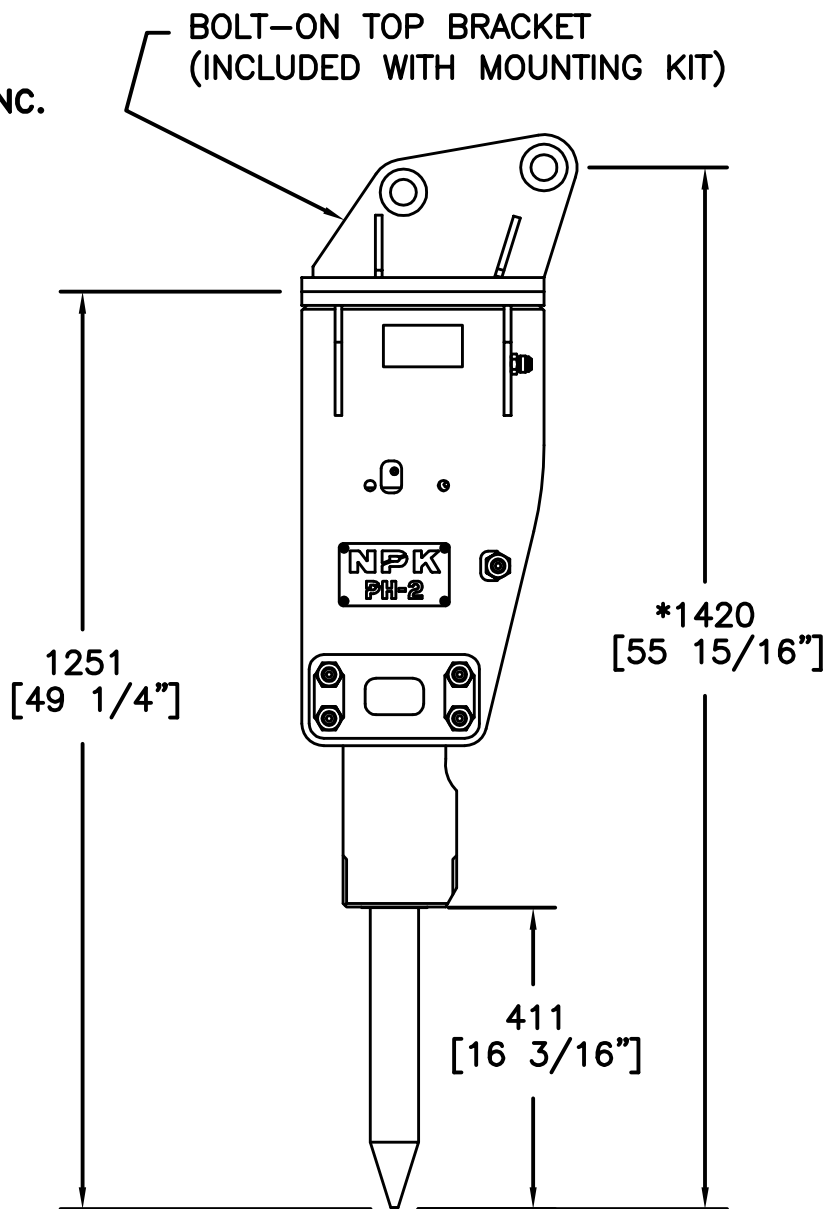


NPK

CONSTRUCTION EQUIPMENT, INC.

7550 INDEPENDENCE DRIVE
WALTON HILLS, OHIO 44146
PHONE: (440) 232-7900
FAX: (440) 232-4382

PH-2 STD GENERAL DIMENSIONS



DO NOT SCALE DRAWING

SPECIFICATIONS SUBJECT TO CHANGE WITHOUT NOTICE

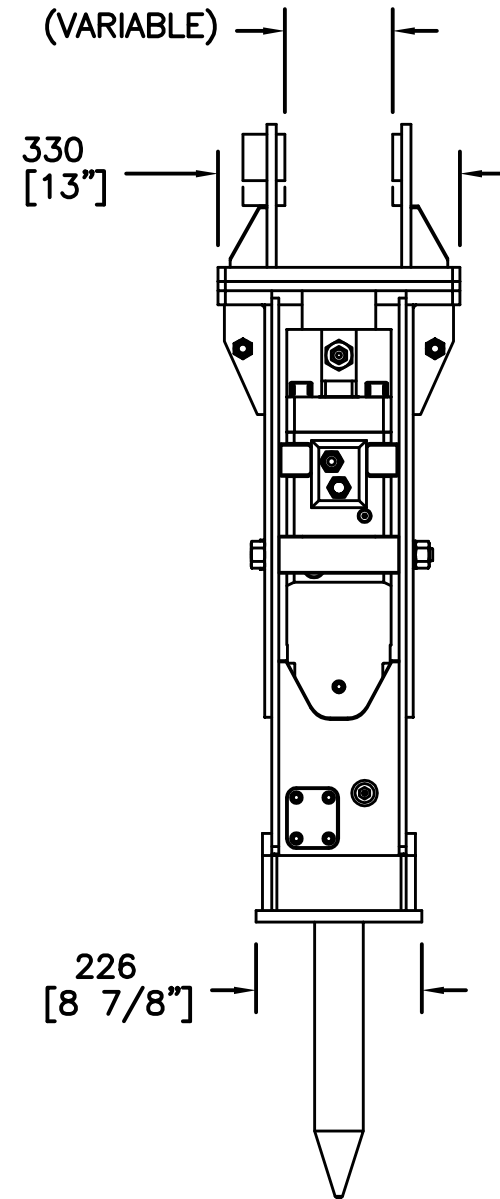
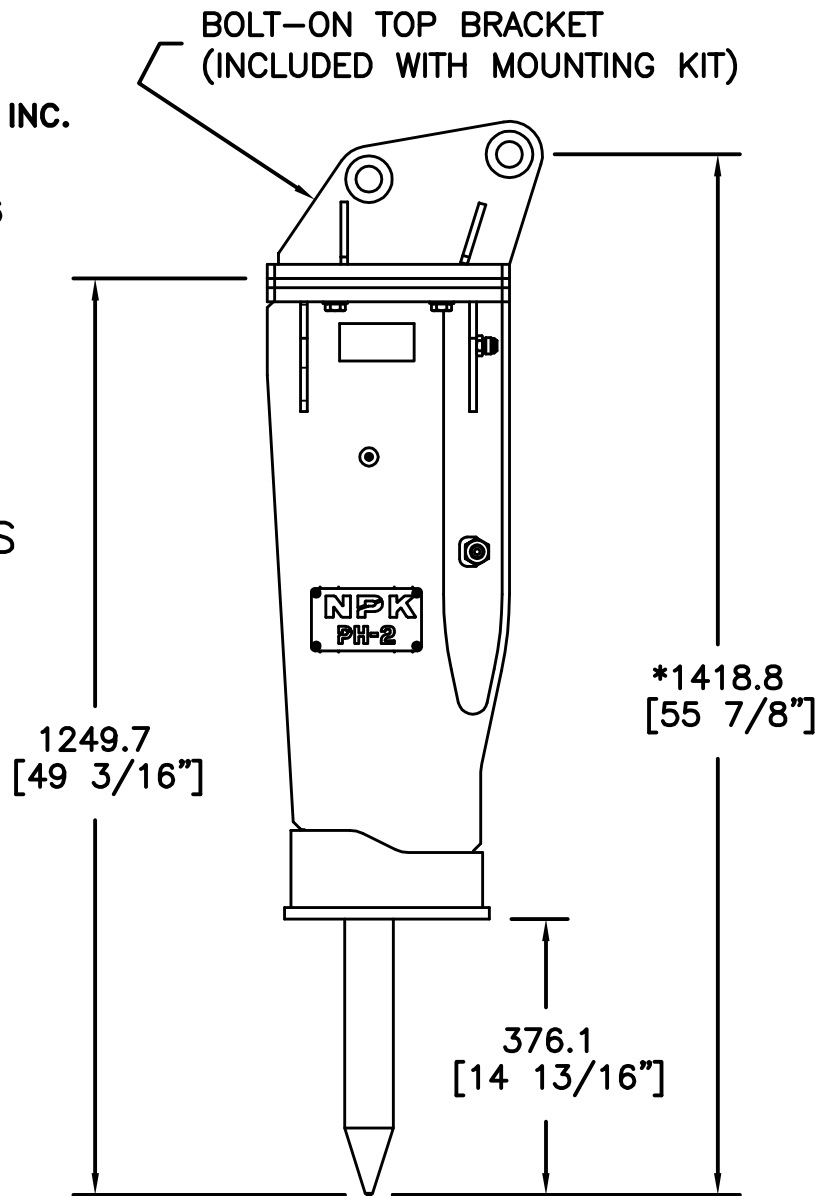
* THIS DIMENSION MAY DIFFER ON
SOME ASSEMBLIES DUE TO TOP
BRACKET VARIATION.

NPK

CONSTRUCTION EQUIPMENT, INC.

7550 INDEPENDENCE DRIVE
WALTON HILLS, OHIO 44146
PHONE: (440) 232-7900
FAX: (440) 232-4382

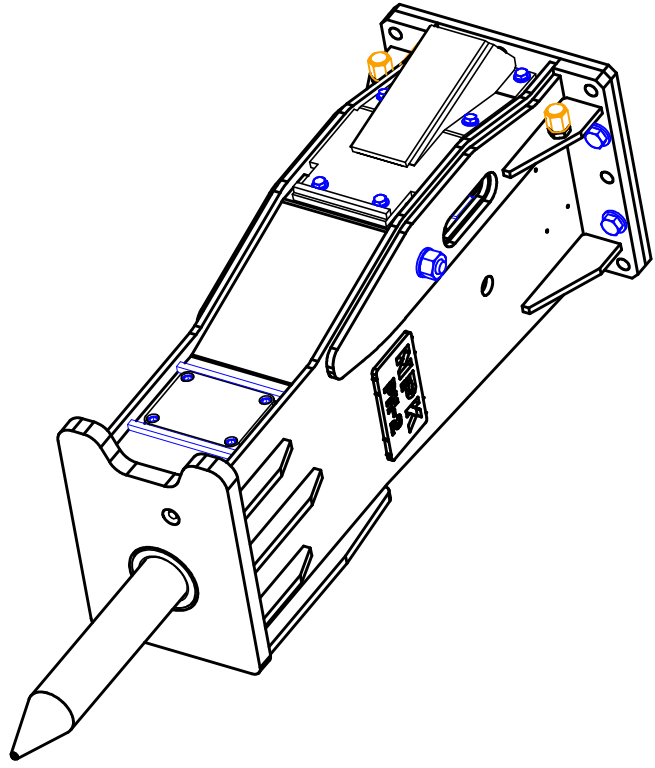
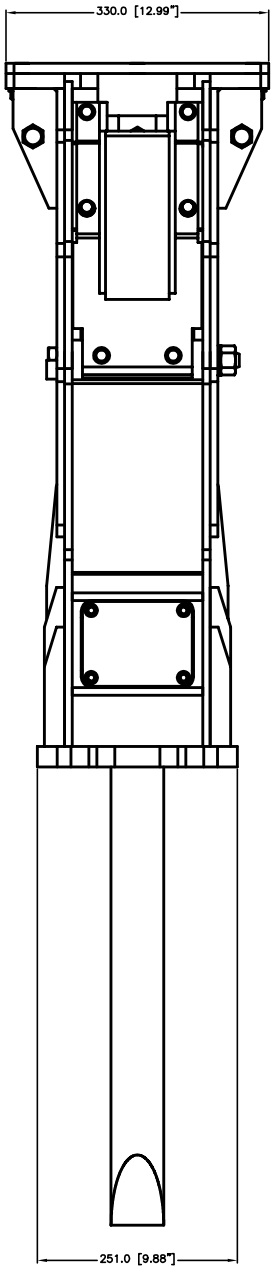
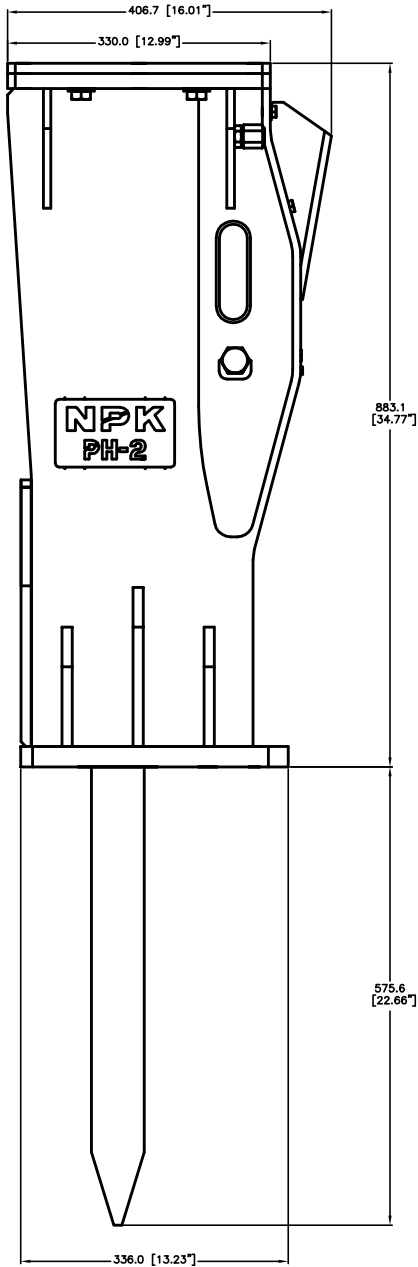
PH-2 ENVIRO GENERAL DIMENSIONS



DO NOT SCALE DRAWING

SPECIFICATIONS SUBJECT TO CHANGE WITHOUT NOTICE

* THIS DIMENSION MAY DIFFER ON
SOME ASSEMBLIES DUE TO TOP
BRACKET VARIATION.



WITH E2039-1015 LONG SCALING FX CHISEL

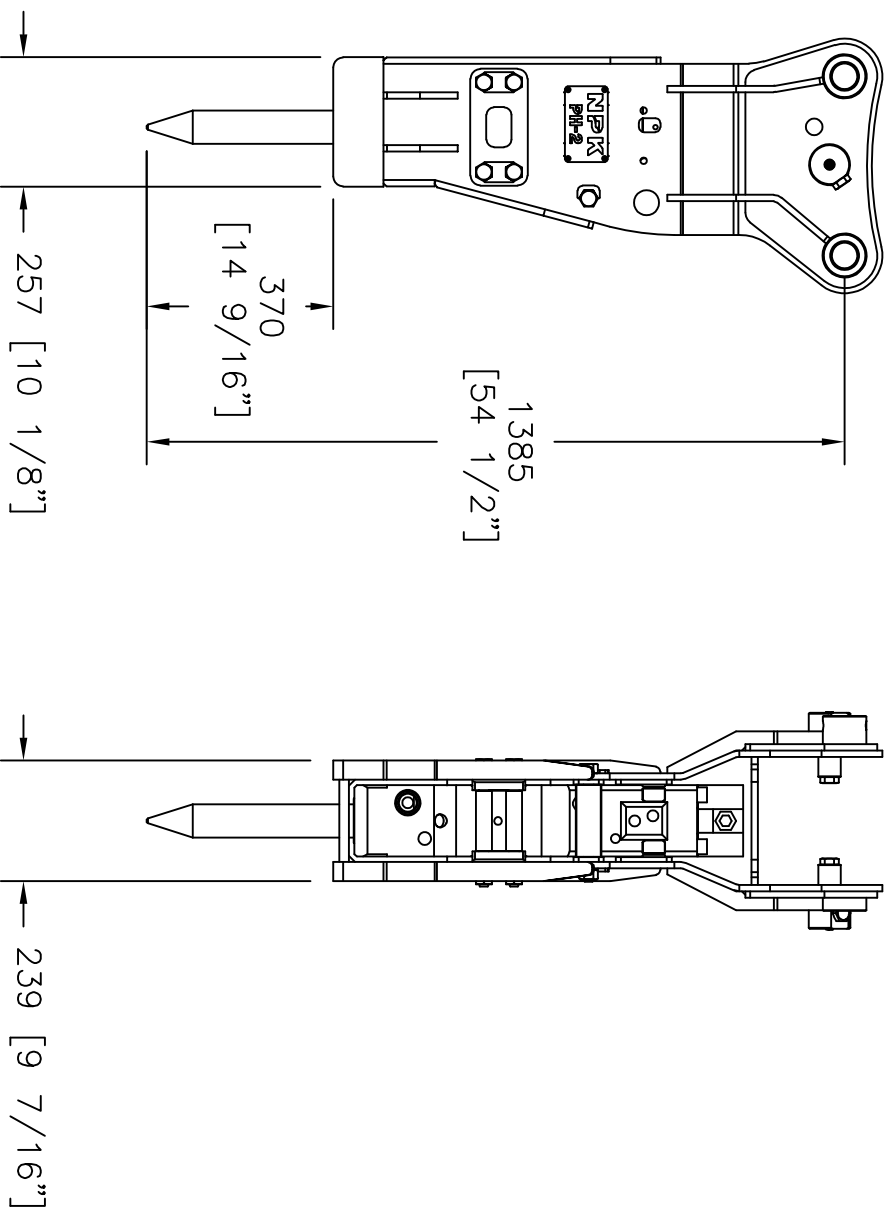
METRIC UNLESS OTHERWISE SPECIFIED: DIMENSIONS X mm = 25.40 mm X.XX mm = 25.35 mm ALL DIMENSIONS OVER 1000 mm X mm = 25.50 mm ANGLES 3/2° SURFACE FINISH 125 / RA	INTERPRET QMNT PER ASME Y14.2M-1994	DATE 1/18/18 SCALE 1:3	CONSTRUCTION EQUIPMENT, INC. 1050 WASHINGTON DRIVE WESTON, OHIO 44146 TEL: (440) 233-7900 FAX: (440) 233-4342
	DIMENSIONS X mm = 25.40 mm X.XX mm = 25.35 mm ALL DIMENSIONS OVER 1000 mm X mm = 25.50 mm ANGLES 3/2° SURFACE FINISH 125 / RA	THIS INFORMATION IS TO BE USED FOR THE SPECIFIC PARTS AND ASSEMBLIES OF THE EQUIPMENT ON A CONTRACTOR'S SITE AND IS THE PROPERTY OF THE CONSTRUCTION EQUIPMENT, INC. NO OTHER REPRODUCTION OR USE OF THIS INFORMATION WITHOUT THE EXPRESS WRITTEN CONSENT OF THE CONSTRUCTION EQUIPMENT, INC. IS DIRECTLY FORBIDDEN.	PH2003 PH2003 HAMMER BRACKET ASSEMBLY PH-2 SCALING



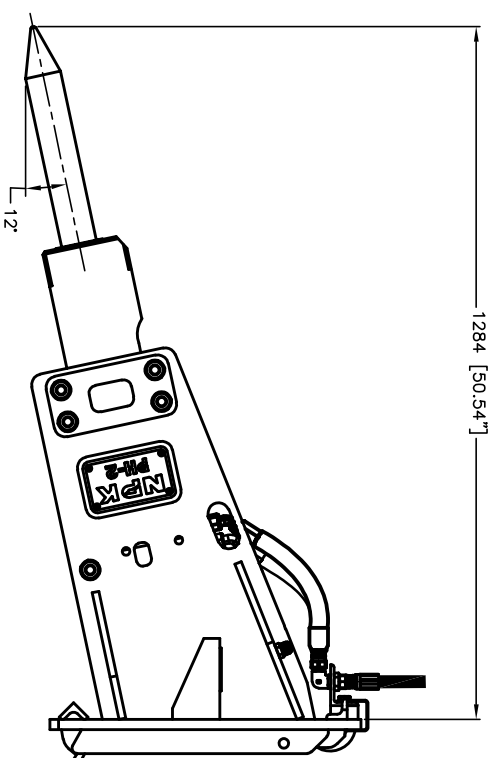
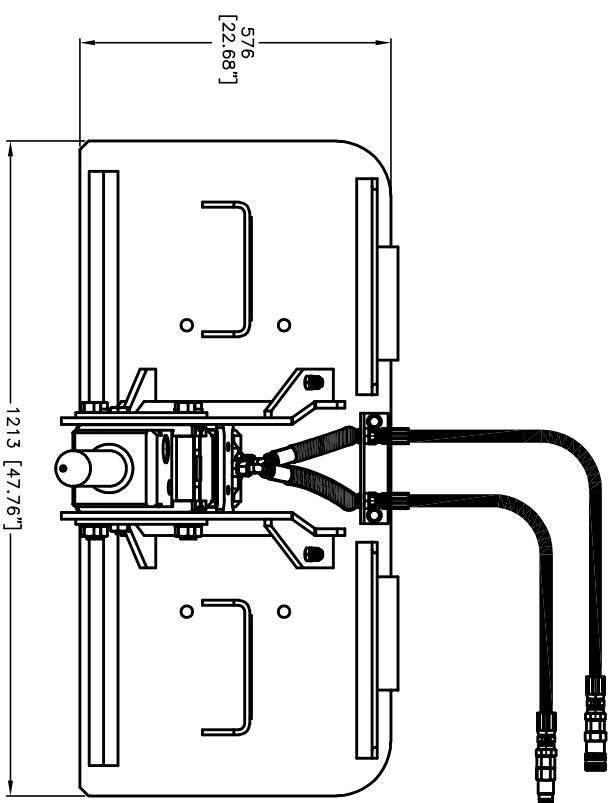
CONSTRUCTION EQUIPMENT, INC.

7550 INDEPENDENCE DRIVE
WALTON HILLS, OHIO 44146
PHONE: (440) 232-7900
FAX: (440) 232-4382

PH-2 HD MINING
1-PIECE BRACKET
DEDICATED NPK PEDESTAL BOOM

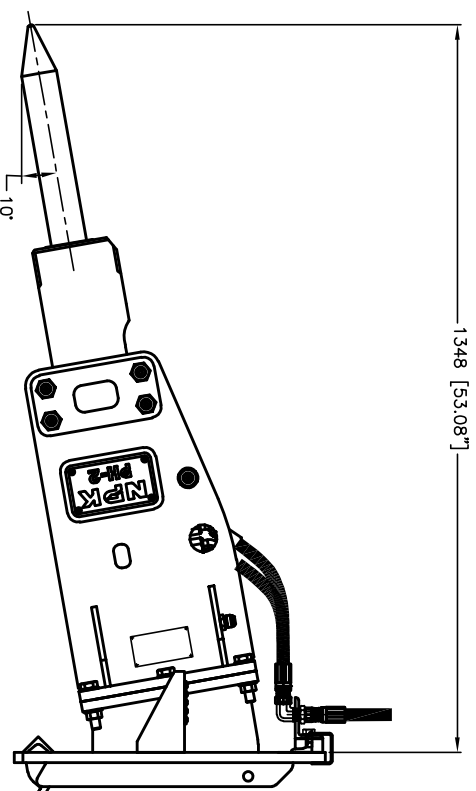
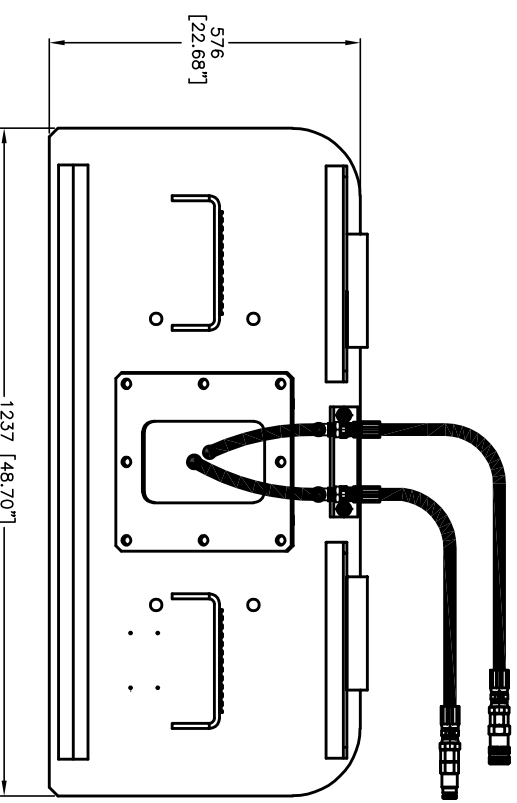


DO NOT SCALE DRAWING
SPECIFICATIONS SUBJECT TO CHANGE WITHOUT NOTICE



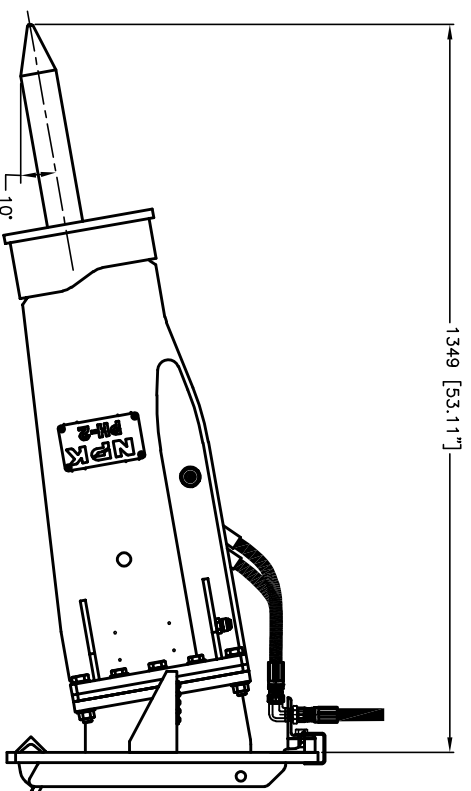
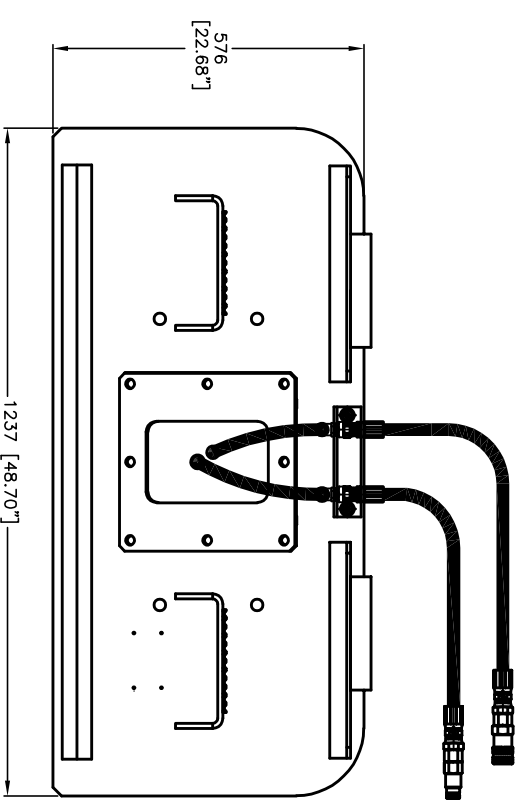
PH2
1-PIECE
Op. Weight = 725 lbs

THIS BRACKET CAN ALSO FIT PH1 HAMMER
(CHANGE KEY PLATES, BRACKET BOLT GUARD
TUBES, WEAR PLATES, & NAME PLATES)



PH2
STANDARD
2-PIECE
Op. Weight = 825 lbs

THIS BRACKET CAN ALSO FIT PH1 HAMMER BY
CHANGING HAMMER & BRACKET



PH2 ENCLOSED
2-PIECE
(WATER READY)
Op. Weight = 925 lbs

THIS BRACKET CAN ALSO FIT PH1 HAMMER BY
CHANGING HAMMER & BRACKET

METRIC		IMPERIAL	
TOLERANCES UNLESS OTHERWISE SPECIFIED:		TOLERANCES UNLESS OTHERWISE SPECIFIED:	
DIMENSIONS 1-150 mm		DIMENSIONS 1-6 IN	
X, Y mm = ±0.50 mm		X, Y IN = ±0.005 IN	
Z mm = ±0.25 mm		Z IN = ±0.010 IN	
OVER 1000 mm		OVER 40 IN	
X mm = ±2.50 mm		X IN = ±0.100 IN	
ANGLES ±2°		ANGLES ±1/4°	
SURFACE FINISH 125 μm		SURFACE FINISH 5 mil	
RADIUSES 1/16"		RADIUSES 1/16"	
UNLESS OTHERWISE SPECIFIED ALL DIMENSIONS ARE IN MILLIMETERS		UNLESS OTHERWISE SPECIFIED ALL DIMENSIONS ARE IN MILLIMETERS	
COPYRIGHT © 2001 NPK CONSTRUCTION EQUIPMENT, INC. TITLE		COPYRIGHT © 2001 NPK CONSTRUCTION EQUIPMENT, INC. TITLE	
THIS INFORMATION IS TO BE USED FOR THE DESIGN OF A COMPONENT BASED ON THE INFORMATION ON THE REPRODUCTION AND USE OF THIS INFORMATION. THE REPRODUCTION AND USE OF THIS INFORMATION, CONSULTATION, OR ANY OTHER ACTION TAKEN HEREON IS EXPRESSLY FORBIDDEN.		THIS INFORMATION IS TO BE USED FOR THE DESIGN OF A COMPONENT BASED ON THE INFORMATION ON THE REPRODUCTION AND USE OF THIS INFORMATION. THE REPRODUCTION AND USE OF THIS INFORMATION, CONSULTATION, OR ANY OTHER ACTION TAKEN HEREON IS EXPRESSLY FORBIDDEN.	
DO NOT SCALE DRAWING SCALE SIZE		DO NOT SCALE DRAWING SCALE SIZE	
USED ON		USED ON	
PH2 SKID STEER BRACKET COMPARISON		PH2 SKID STEER BRACKET COMPARISON	
DRAWING NUMBER		DRAWING NUMBER	
1:7 D		1:7 D	
REVISION		REVISION	
-		-	