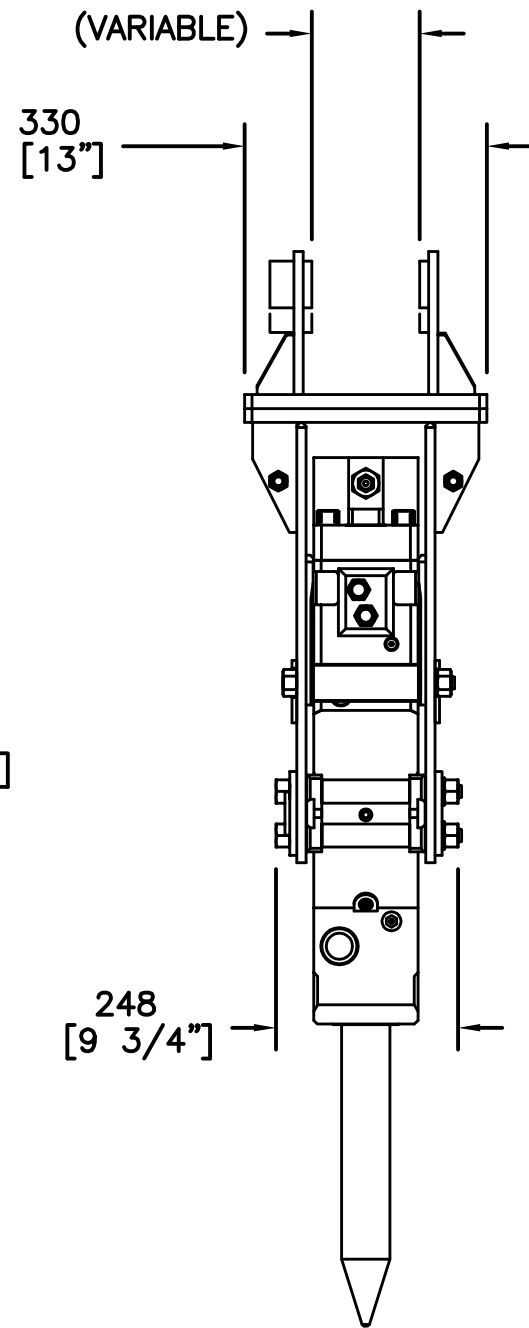
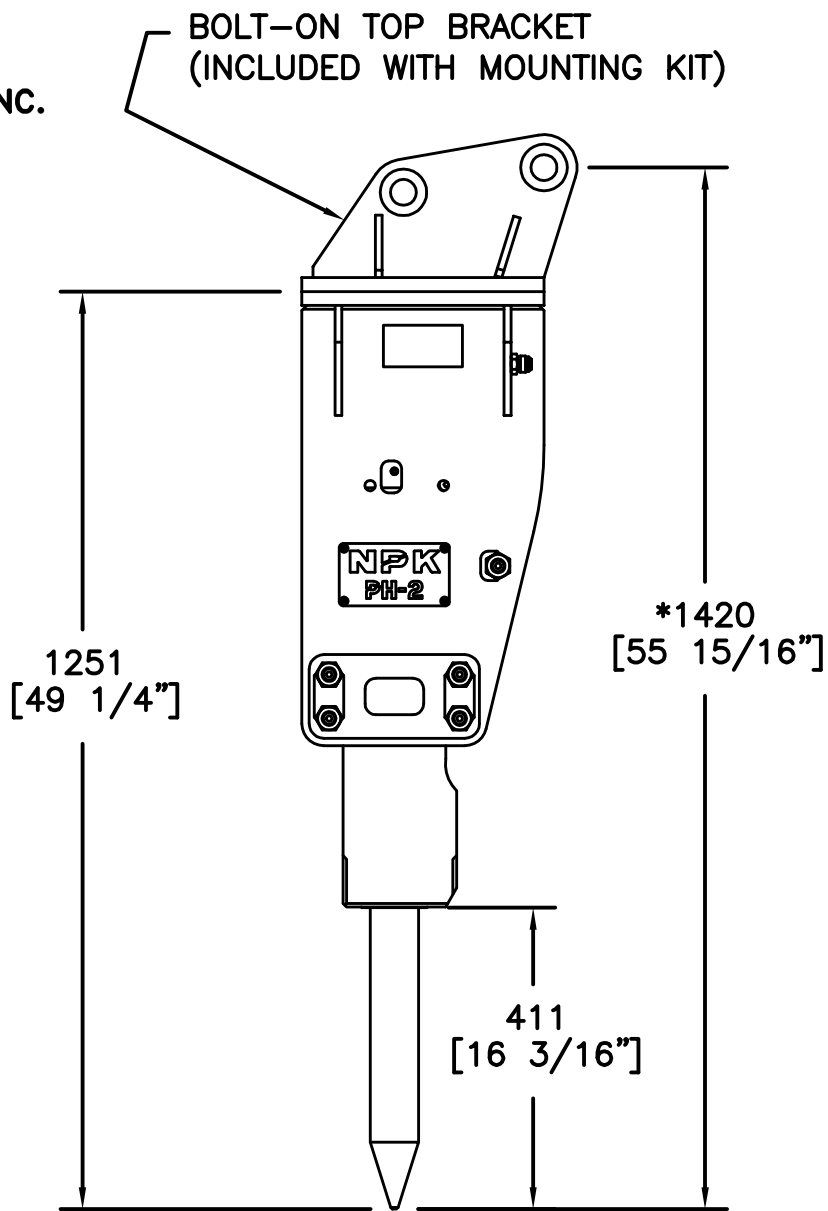


# NPK

CONSTRUCTION EQUIPMENT, INC.

7550 INDEPENDENCE DRIVE  
WALTON HILLS, OHIO 44146  
PHONE: (440) 232-7900  
FAX: (440) 232-4382

## PH-2 STD GENERAL DIMENSIONS



DO NOT SCALE DRAWING

SPECIFICATIONS SUBJECT TO CHANGE WITHOUT NOTICE

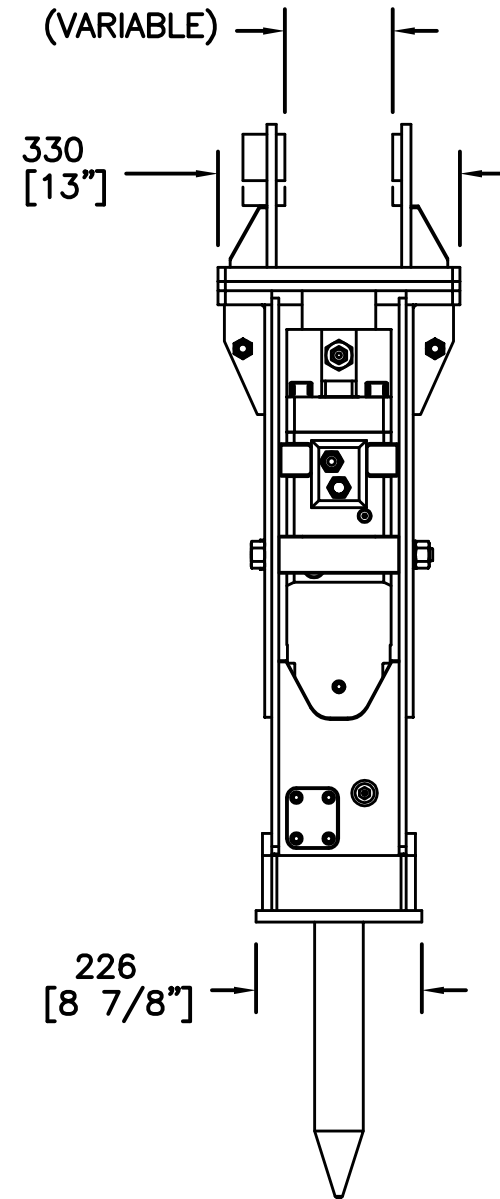
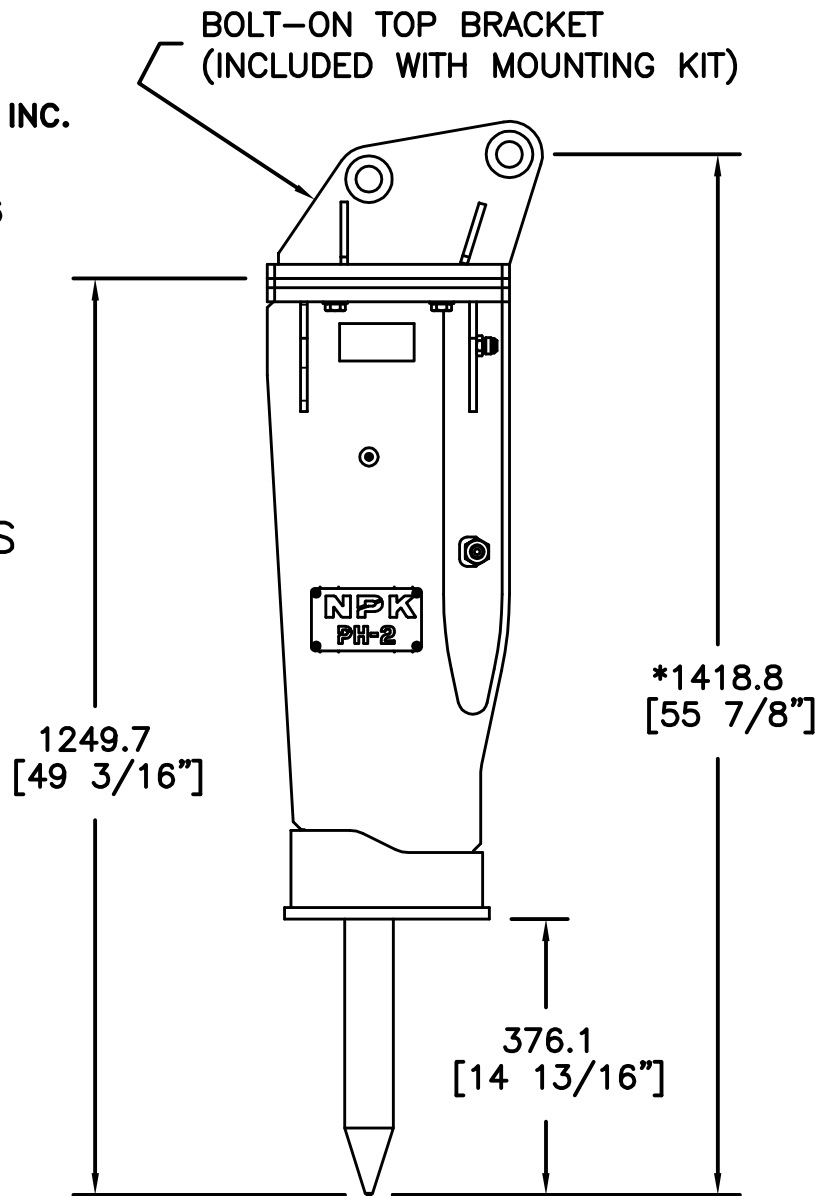
\* THIS DIMENSION MAY DIFFER ON  
SOME ASSEMBLIES DUE TO TOP  
BRACKET VARIATION.

# NPK

CONSTRUCTION EQUIPMENT, INC.

7550 INDEPENDENCE DRIVE  
WALTON HILLS, OHIO 44146  
PHONE: (440) 232-7900  
FAX: (440) 232-4382

## PH-2 ENVIRO GENERAL DIMENSIONS



DO NOT SCALE DRAWING

SPECIFICATIONS SUBJECT TO CHANGE WITHOUT NOTICE

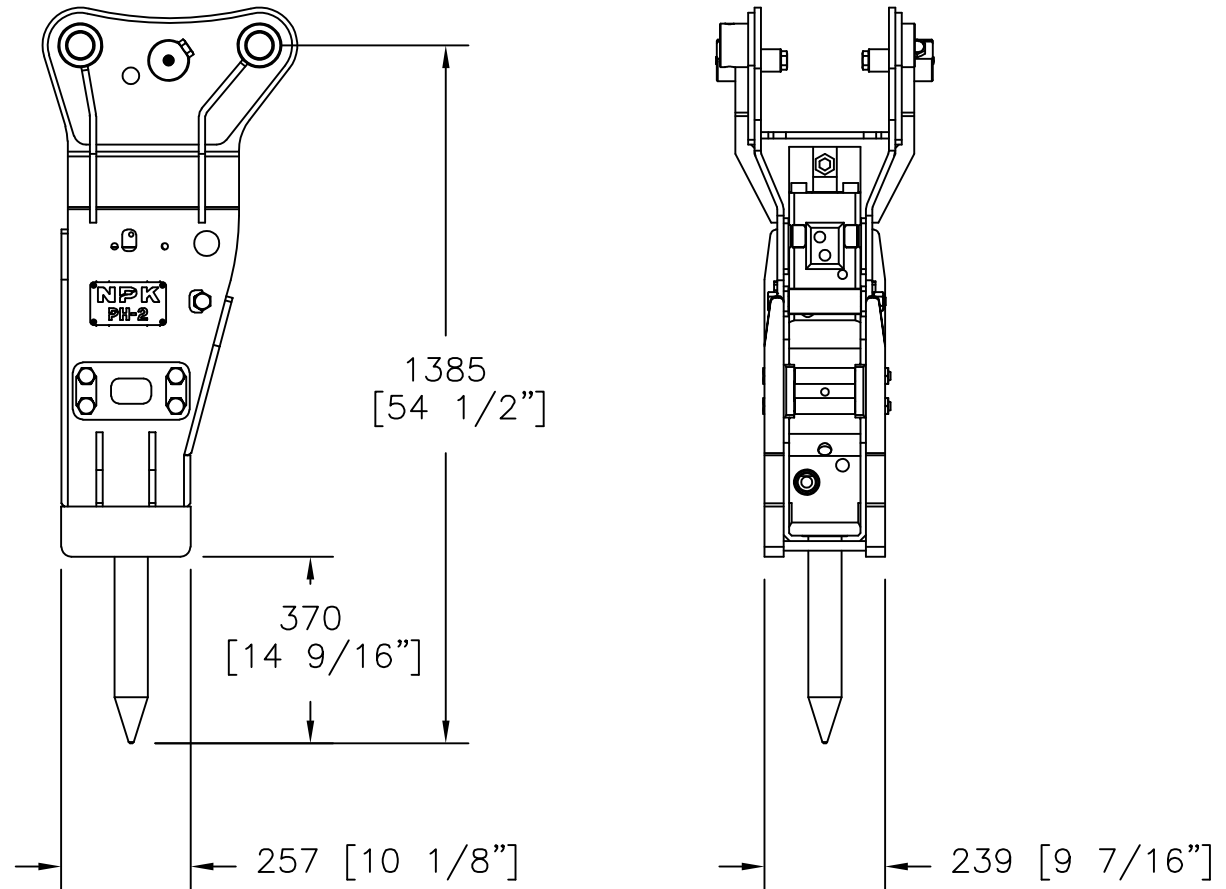
\* THIS DIMENSION MAY DIFFER ON  
SOME ASSEMBLIES DUE TO TOP  
BRACKET VARIATION.

# NPK

CONSTRUCTION EQUIPMENT, INC.

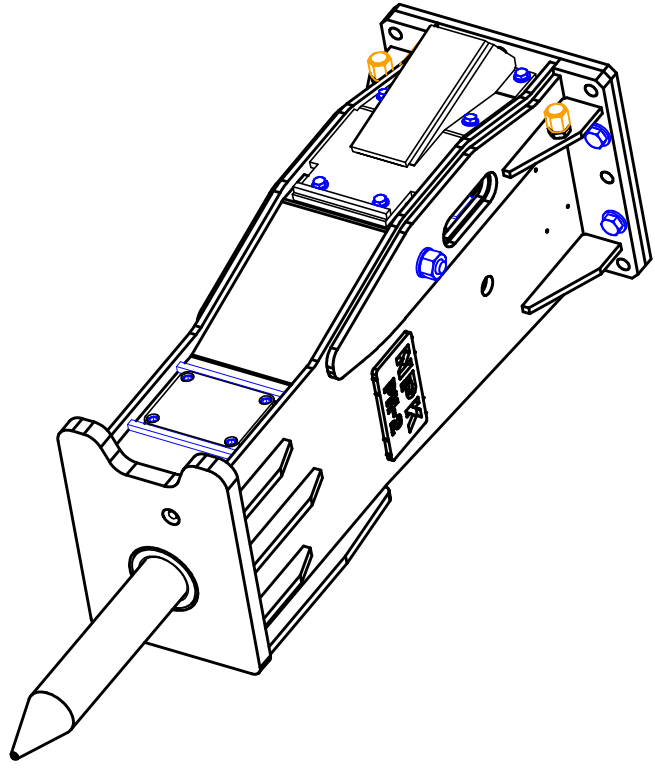
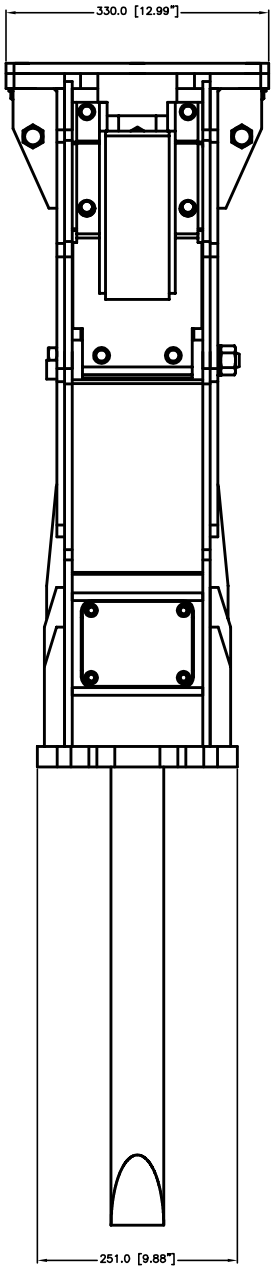
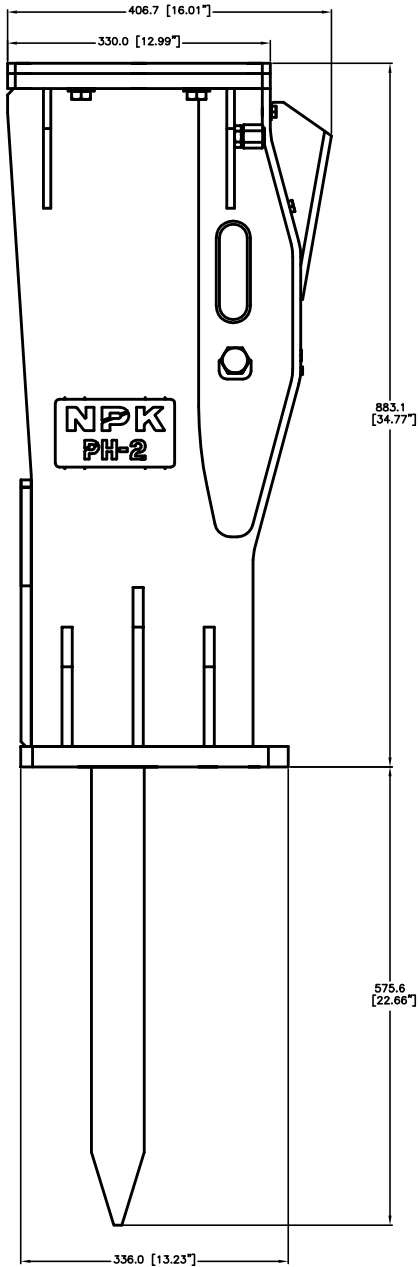
7550 INDEPENDENCE DRIVE  
WALTON HILLS, OHIO 44146  
PHONE: (440) 232-7900  
FAX: (440) 232-4382

PH-2 HD MINING  
1-PIECE BRACKET  
DEDICATED NPK PEDESTAL BOOM



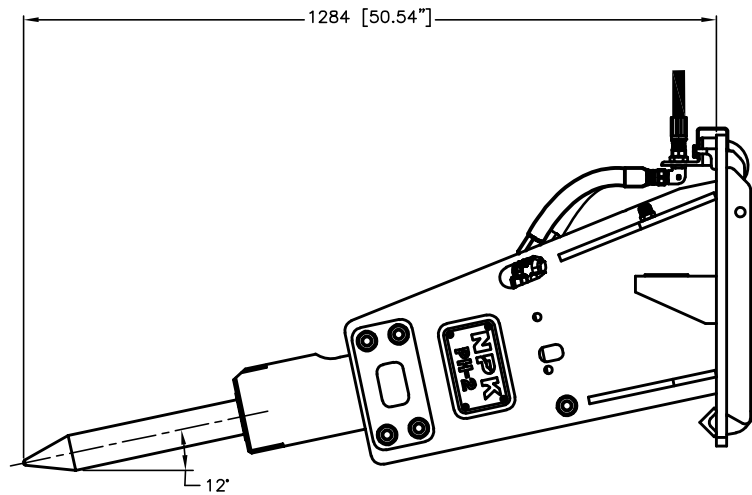
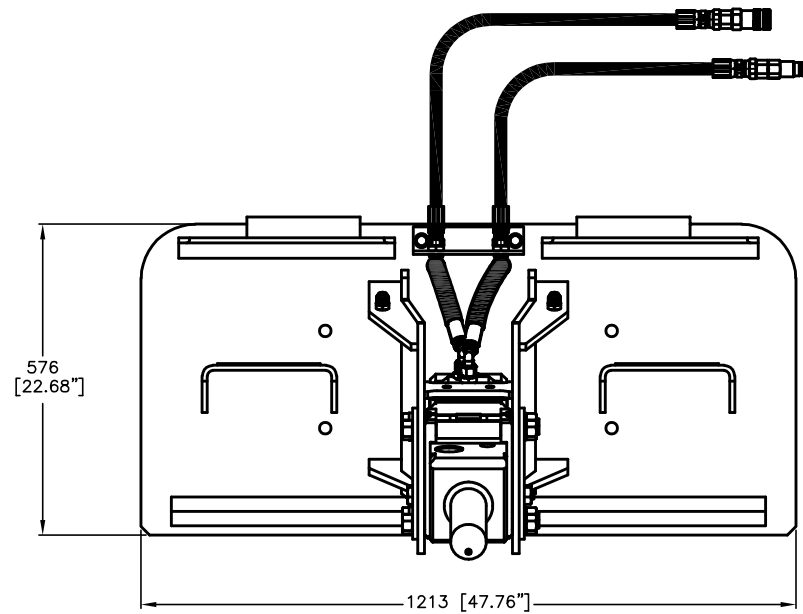
DO NOT SCALE DRAWING

SPECIFICATIONS SUBJECT TO CHANGE WITHOUT NOTICE



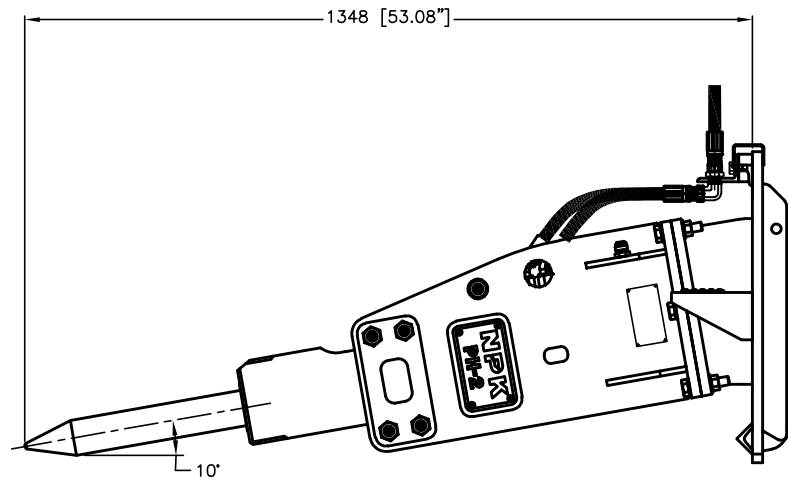
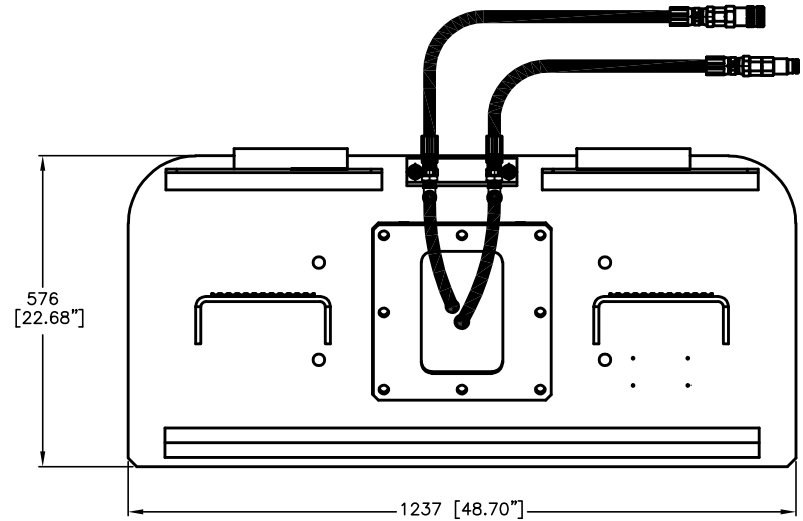
WITH E2039-1015 LONG SCALING FX CHISEL

<b>METRIC</b> DIMENSIONS SPECIFIED DIMENSIONS X mm = 25.40 mm X.XX mm = 25.35 mm ALL DIMENSIONS OVER 1000 mm X mm = 25.50 mm ANGLES 3/2° SURFACE FINISHNESS 125 / $\sqrt{R_a}$	INTERPRET QMNT PER ASME Y14.2M-1994 THIRD ANGLE PROJECTION REFERENCE NUMBER <b>PH2003</b> SUPERSEDES NONE	DATE 1/18/18	CONSTRUCTION <b>EQUIPMENT, INC.</b> 1050 WASHINGTON DRIVE WESTON, OHIO 44146 TEL: (440) 233-7900 FAX: (440) 233-4342
		THIS INFORMATION IS TO BE USED FOR THE SPECIFIC PURPOSE FOR WHICH IT IS PROVIDED. IT IS PROVIDED ON A CONFIDENTIAL BASIS AND IS THE PROPERTY OF THE CONSTRUCTION EQUIPMENT, INC. NO PART OF THIS INFORMATION IS TO BE REPRODUCED OR TRANSMITTED IN ANY FORM OR BY ANY MEANS, ELECTRONIC OR MECHANICAL, INCLUDING PHOTOCOPYING, RECORDING, OR BY ANY INFORMATION STORAGE AND RETRIEVAL SYSTEM, WITHOUT THE WRITTEN PERMISSION OF CONSTRUCTION EQUIPMENT, INC.	<b>PH2003 HAMMER BRACKET          ASSEMBLY          PH-2 SCALING</b>



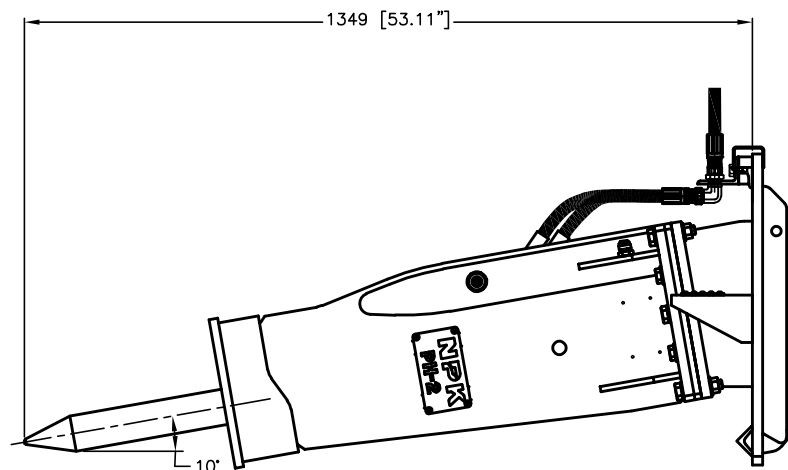
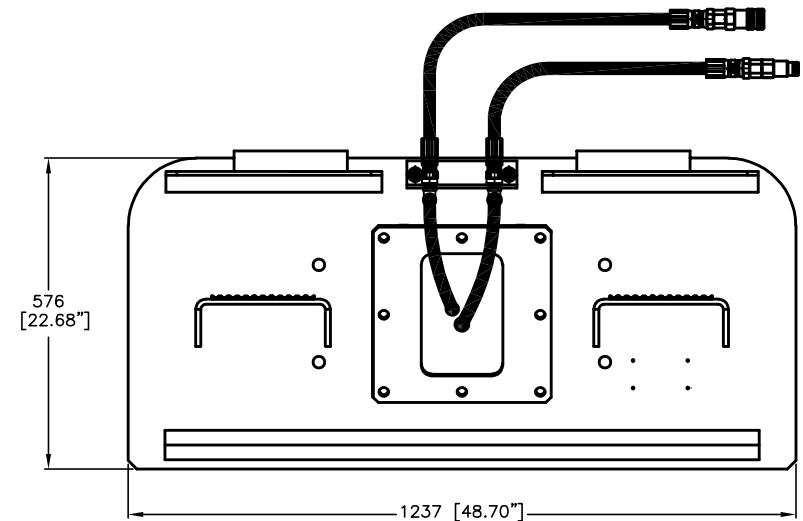
PH2  
1-PIECE  
Op. Weight = 725 lbs

THIS BRACKET CAN ALSO FIT PH1 HAMMER  
(CHANGE KEY PLATES, BRACKET BOLT GUARD  
TUBES, WEAR PLATES, & NAME PLATES)



PH2  
STANDARD  
2-PIECE  
Op. Weight = 825 lbs

THIS BRACKET CAN ALSO FIT PH1 HAMMER BY  
CHANGING HAMMER & BRACKET



PH2 ENCLOSED  
2-PIECE  
(WATER READY)  
Op. Weight = 925 lbs

THIS BRACKET CAN ALSO FIT PH1 HAMMER BY  
CHANGING HAMMER & BRACKET

<b>METRIC</b> TOLERANCES UNLESS OTHERWISE SPECIFIED: DIMENSIONS X mm = ±1.50 mm X.X mm = ±0.80 mm X.XX mm = ±0.25 mm ALL DIMENSIONS OVER 1000 mm X mm = ±2.50 mm ANGLES ±2° SURFACE ROUGHNESS 125 / √Rin	INTERPRET GOVT PER ASME Y14.5M-1994 THIRD ANGLE PROJECTION	DRAWN BY: KAB DATE: 11/12/18 CHECKED BY:	7550 INDEPENDENCE DRIVE WALTON HILLS, OHIO 44146 TEL (440) 232-7900 FAX (440) 232-4382
	SUPERSEDES:	USED ON:	DO NOT SCALE DRAWING UNLESS OTHERWISE SPECIFIED ALL DIMENSIONS ARE IN MILLIMETERS
COPYRIGHT © 2001 NPK CONSTRUCTION EQUIPMENT, INC. THIS INFORMATION IS TO BE USED FOR THE SPECIFIC PURPOSE FOR WHICH IT IS PROVIDED. IT IS PROVIDED ON A CONFIDENTIAL BASIS AND IS THE PROPERTY OF NPK CONSTRUCTION EQUIPMENT, INC. THE REPRODUCTION AND USE OF THIS INFORMATION WITHOUT THE EXPRESS WRITTEN CONSENT OF NPK CONSTRUCTION EQUIPMENT, INC. IS STRICTLY PROHIBITED.			<b>PH2 SKID STEER BRACKET COMPARISON</b>
SCALE: 1:7		DRAWING NUMBER:	REVISION: