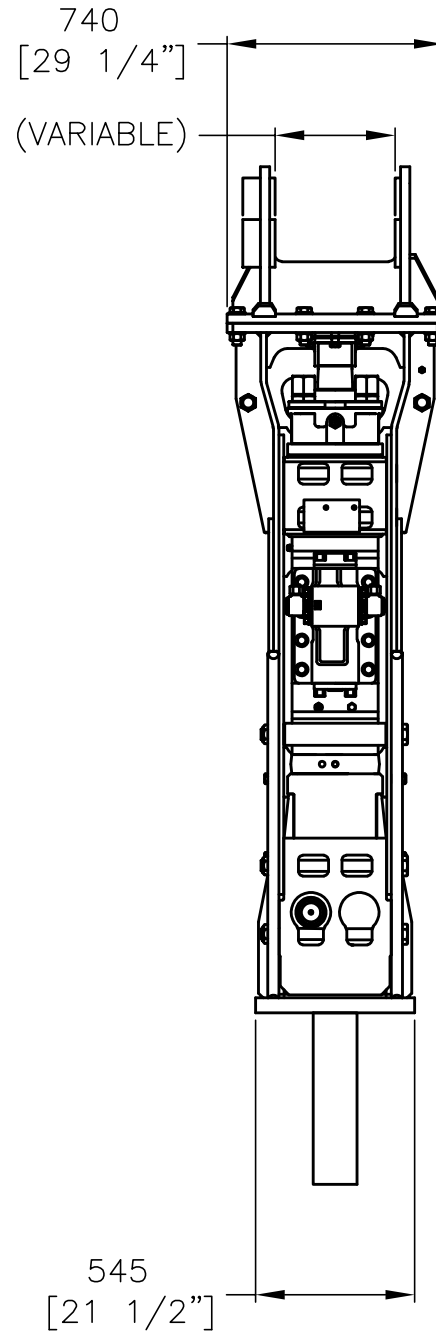


NPK

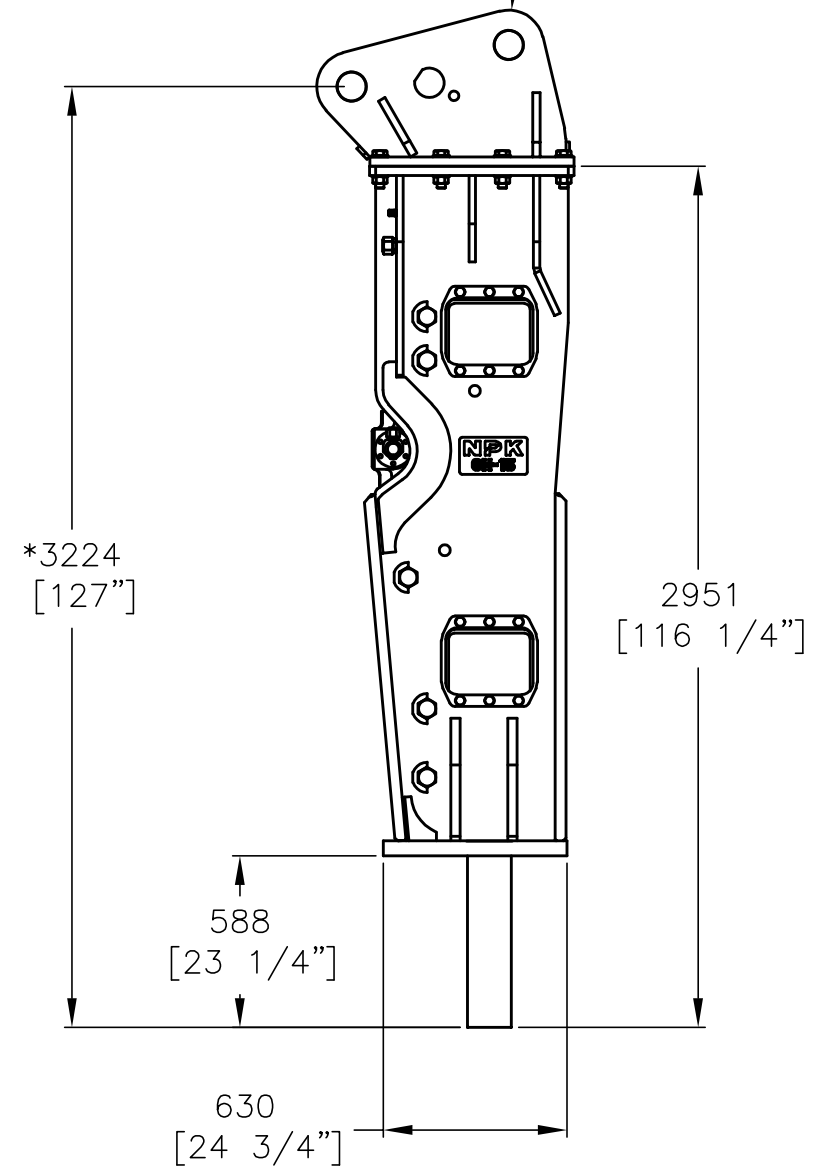
CONSTRUCTION EQUIPMENT, INC.

7550 INDEPENDENCE DRIVE
WALTON HILLS, OHIO 44146
PHONE: (440) 232-7900
FAX: (440) 232-4382

GH-15
GENERAL DIMENSIONS



BOLT-ON TOP BRACKET
(INCLUDED WITH MOUNTING KIT)



DO NOT SCALE DRAWING
SPECIFICATIONS SUBJECT TO CHANGE WITHOUT NOTICE

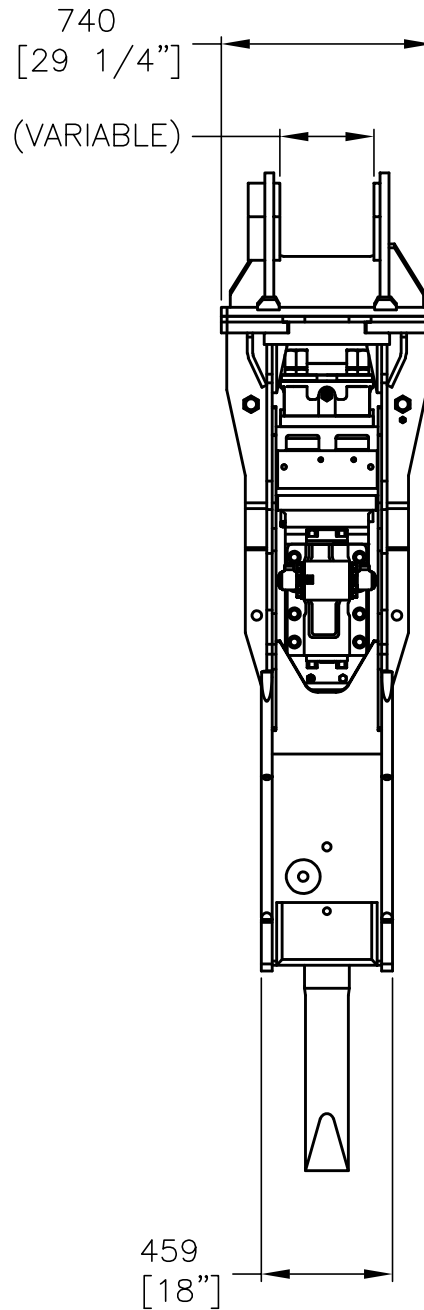
* THIS DIMENSION MAY DIFFER ON
SOME ASSEMBLIES DUE TO TOP
BRACKET VARIATION.



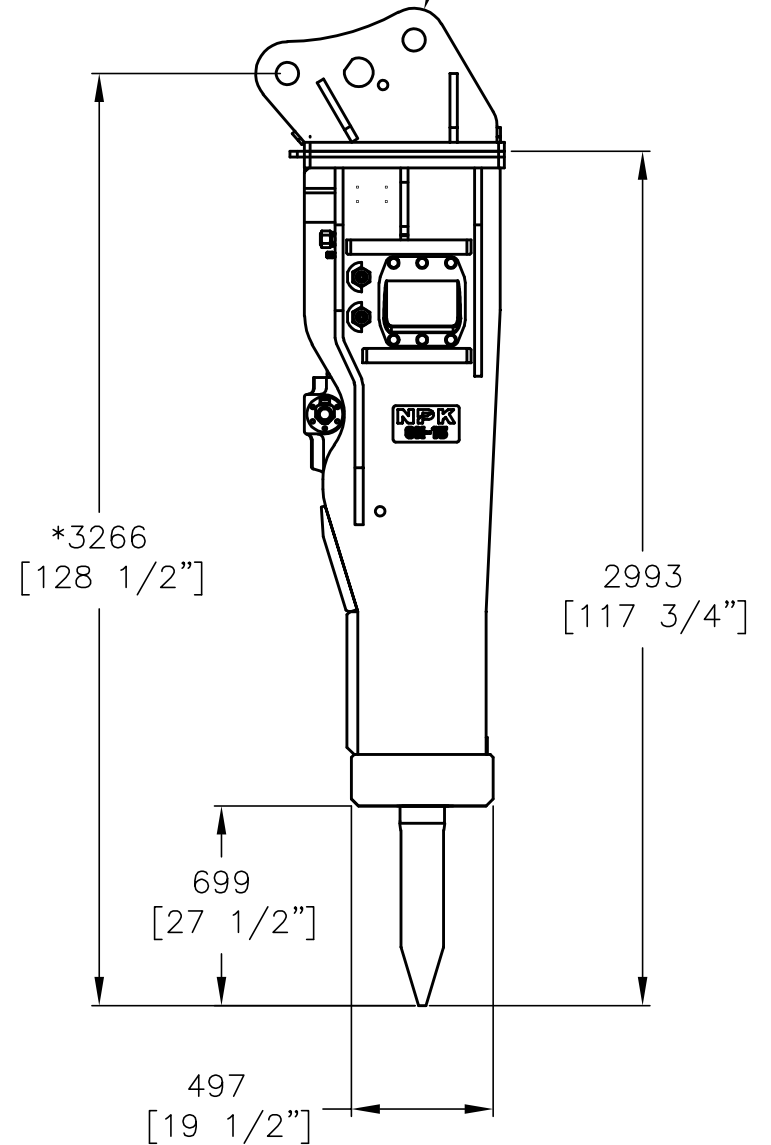
CONSTRUCTION EQUIPMENT, INC.

7550 INDEPENDENCE DRIVE
WALTON HILLS, OHIO 44146
PHONE: (440) 232-7900
FAX: (440) 232-4382

GH-15 ENCLOSED
GENERAL DIMENSIONS



BOLT-ON TOP BRACKET
(INCLUDED WITH MOUNTING KIT)



DO NOT SCALE DRAWING
SPECIFICATIONS SUBJECT TO CHANGE WITHOUT NOTICE

* THIS DIMENSION MAY DIFFER ON
SOME ASSEMBLIES DUE TO TOP
BRACKET VARIATION.