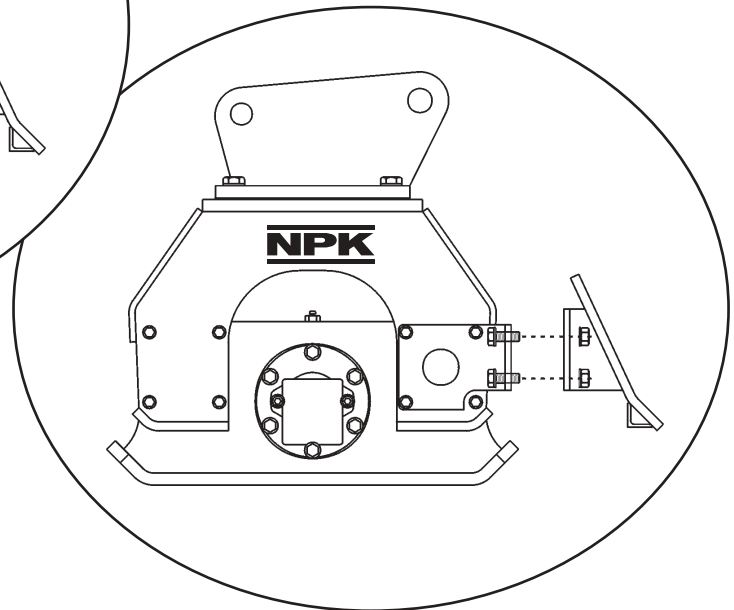
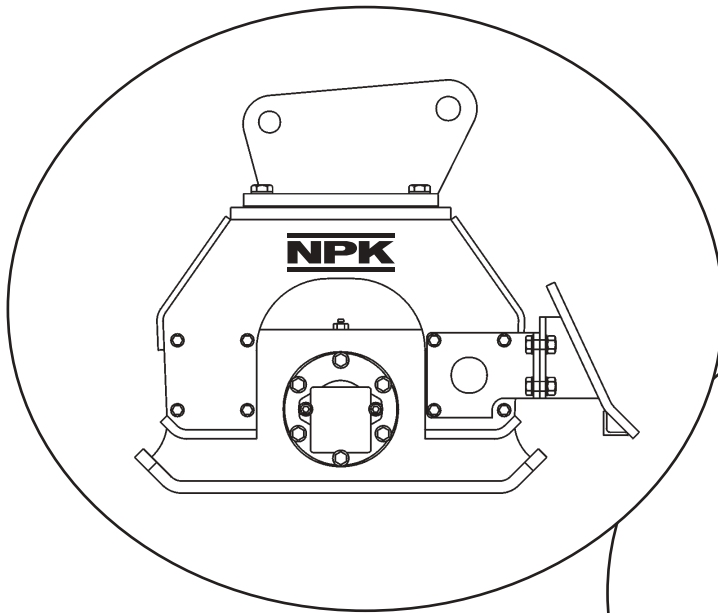


ANNOUNCING THE OPTIONAL BACKFILL BLADE ATTACHMENT

Now available on NPK "C" Model Compactors is a great new option. The Backfill Blade attachment can be added to increase productivity and convenience. On jobsites where space is at a premium, there is no need for additional equipment to get the job done. Whether you mount the Compactor on an excavator, backhoe or mini-excavator, it is not necessary to bring in additional equipment operators or for extensive machine repositioning to complete the job. This new option can be used to secure pipe and conduit in a trench as well as backfilling the entire trench to complete the job.

In addition, NPK's new Backfill Blade can be factory or field installed, achieving unmatched versatility and convenience. This new blade is bolt-on and can be easily detached with the removal of four conveniently positioned bolts.

This allows for a more compact profile for trenchwork and transport (*note:* when the backfill blade is removed the backfill blade bracket does not extend past the baseplate).



Optional Backfill Blade Attachment:

Compactor Model	NPK Part No.
C-2C	C2100-7101
C-4C	C4100-7101
C-6C	C6100-7101
C-8C	C8100-7101
C-10C	C1100-7101
C-12C	C1200-7101