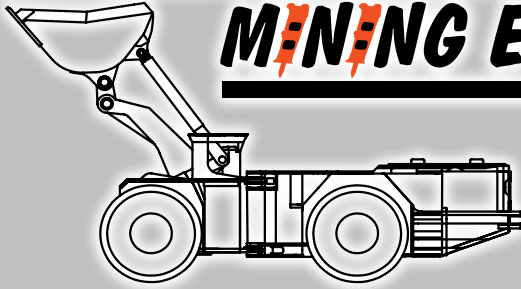
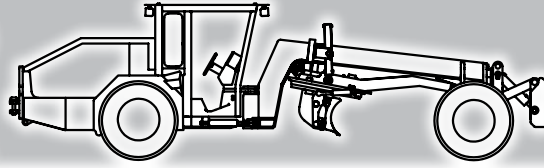


# NPK



## MINING EQUIPMENT

### Mining and Tunneling

# All-Wheel Drive

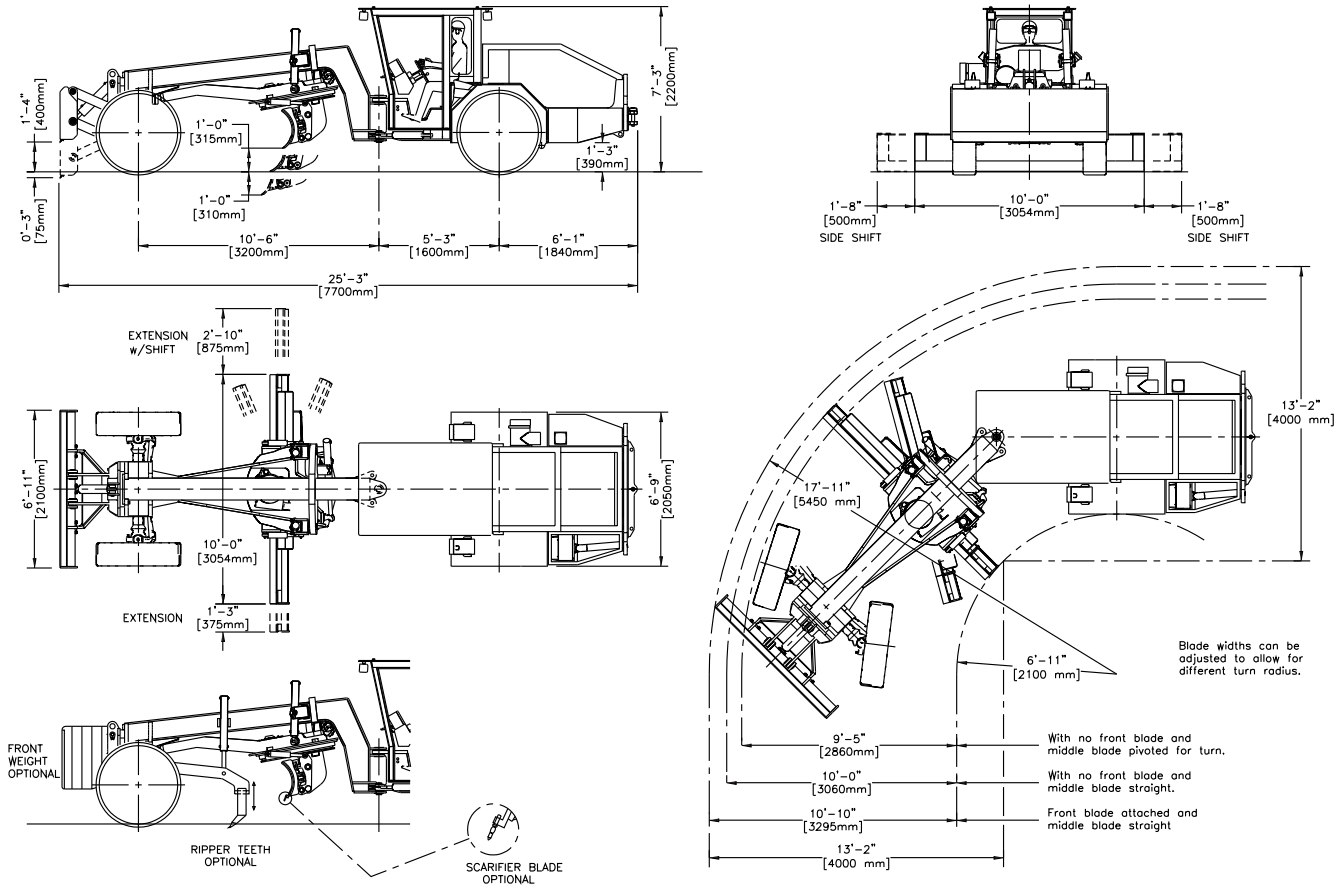


- ROPS/FOPS on open and enclosed cab
- Cab height 7'-3" (2200mm)
- Optional low profile cab available
- Hydrostatic all-wheel drive (infinite variable speeds)
- Steering with front axle plus articulated joint for turn radius under 7 foot (2100mm)
- 15" (375mm) blade extension sections available
- 1'-8" (500mm) lateral blade movement on each side; up to 2'-10" (875mm) with extensions
- Blade rotation of 45°
- Optional front dozer blade

## PG10HA

# GRADER

# PG10HA



## Specifications

Engine (Other engines available)	Cummins QSB 4.5, 170 hp (127 kW) Tier 3
Drive	Hydrostatic all-wheel drive
Tires	12.00 R20
Operator Cab Location	Center or side for low profile
Speed 1st gear / 2nd gear	5 mph (8 km/h) / 12.5 mph (20 km/h)
Operating Weight	Approx. 25,100 lbs (11,400 kg)
Steering Angle at Front	±38°
Oscillating Angle	±10°
Steering Angle at Joint	±45°
Fuel Tank	50 gallons (190 litres)
Traction Force	15,740 lbs (70 kN)
Gradeability	45%



**NPK Mining Equipment**  
 1850 Idaho Street  
 Elko, NV 89801  
 Phone (775) 738-0515  
 Fax (775) 738-0525  
 Internet: [www.npkmining.com](http://www.npkmining.com)  
[www.paus.de/en/](http://www.paus.de/en/)

**NPK Construction Equipment, Inc.**  
 7550 Independence Drive  
 Walton Hills, OH 44146-5541  
 Phone (440) 232-7900  
 Toll-free (800) 225-4379  
 Fax (440) 232-4382  
 Internet: [www.npkce.com](http://www.npkce.com)

Each product sold by NPK Mining is subject to an express written warranty. NPK Mining makes no other warranty, express or implied, including any warranty of merchantability or fitness for any particular purpose. NPK Mining is not liable for any incidental or consequential damages. All specifications without engagement. Machines comply with the latest European safety directives. We reserve the right to make design changes.