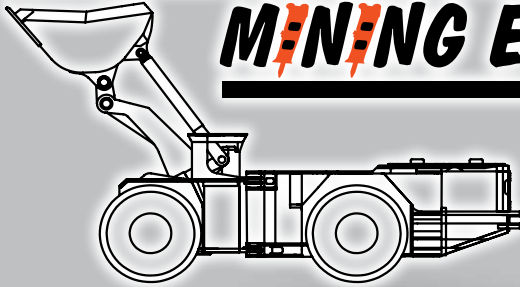
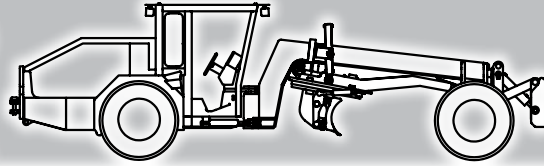


NPK



MINING EQUIPMENT

Mining and Tunneling



Dräger



MRV 9000

MINE RESCUE VEHICLE

MRV 9000 – Mine Rescue Vehicle

The Dräger MRV 9000 Mine Rescue Vehicle is a breakthrough innovation for mine rescue missions.

Built on the proven Paus MinCa 18 chassis, this robust and well-engineered vehicle is a unique solution for enabling mine rescue teams to travel faster and closer to the scene of an incident than ever before.

- Hydrostatic all-wheel drive
- Fully independent coil spring suspension
- Shock absorbers
- Oscillating axles
- ROPS/FOPS
- Enclosed, air tight cab
- Emergency steering for engine shut-off
- All LED lighting

Gas Management

The Dräger MRV 9000 gas monitoring system reliably measures the concentration of oxygen, carbon dioxide and carbon monoxide in the ambient air as well as the inside of the vehicle. Visual and audio signals warn occupants if air thresholds are exceeded or fall short.

- Up to 9.5 ft³ (270 L) of on-board breathing air
- Air purging up to 2500% for quick flushing of harmful gases
- Relief valves for air purging and maintaining positive pressure
- Air management panel for complete control of all gases
- Option to monitor lower explosive limit gases (LEL)



Internal Air Purging System

Internal air purging system in both the cabin and the cassette are independent from the ambient air.

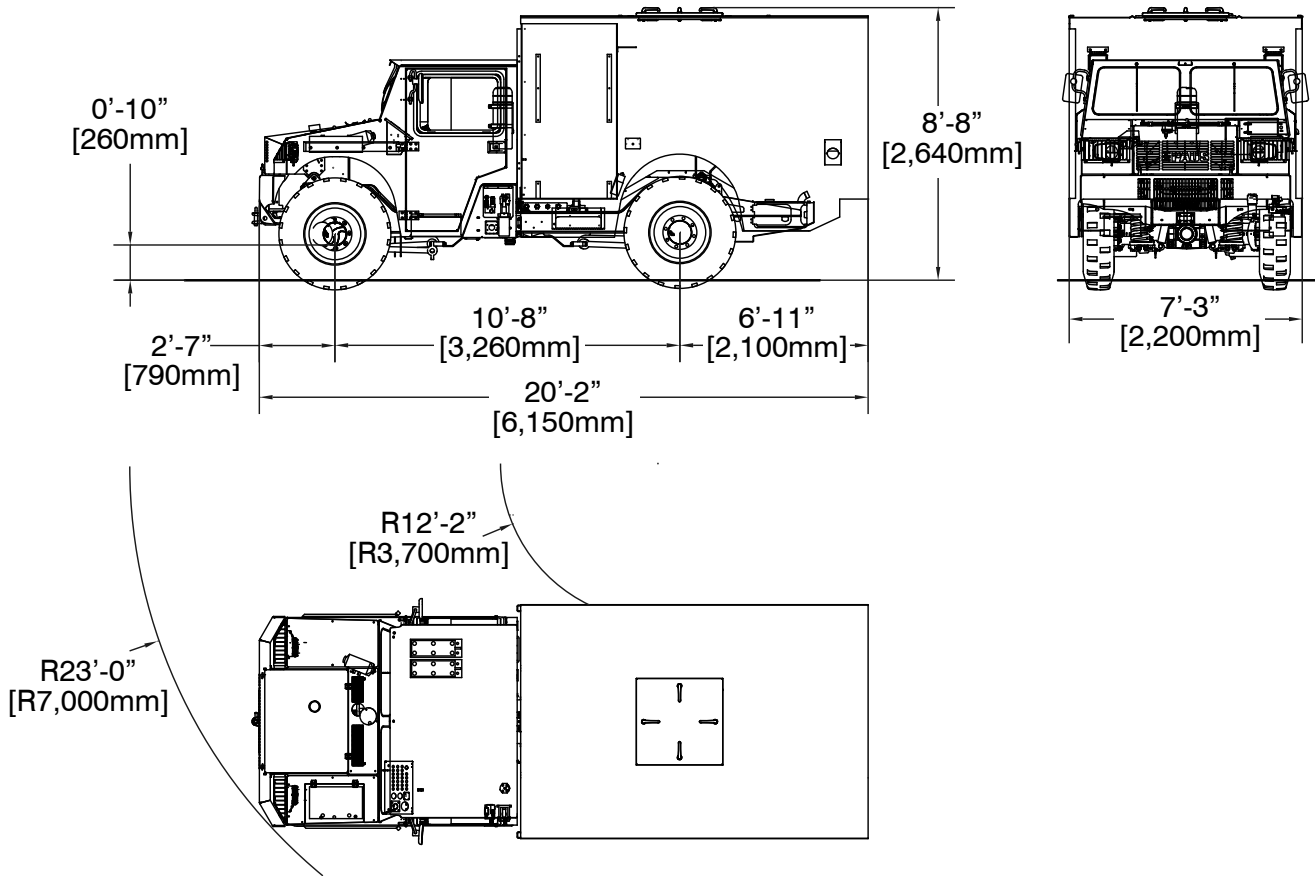
Additional Features of the MRV 9000

The Dräger MRV 9000 is designed to accommodate 8 seated people with room for 1 person to lay flat on a stretcher. Numerous options are available to build the MRV 9000 around your mine rescue needs.

- Communication between driver's cabin and cassette
- Stretcher for transporting injured miner, lying flat
- Seat design allows wearing of breathing apparatus
- Rooftop escape hatch
- Trailer hitch
- Optional thermal cameras to aid in detection of trapped miners
- Optional air conditioning (front and/or rear)
- Optional fire suppression system
 - Manual with 2 actuation points
 - Automatic with 1 actuation point

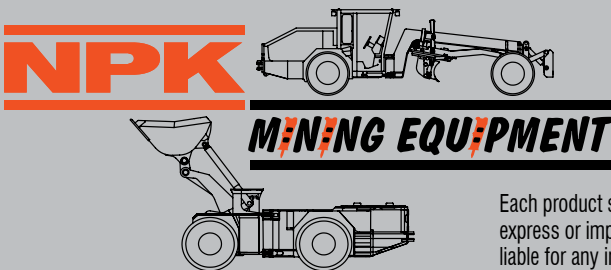


MRV 9000



Specifications

Payload	4,410 lbs (2,000 kg)
Operating Weight	19,840 lbs (9,000 kg)
Seats	Up to 8 persons seated and 1 person lying in stretcher
Engine (Other engines available)	Deutz, TCD 3.6 L4, Tier 4i (No DEF required)
Chassis	Rigid frame, coil spring suspension, front and rear
Drive	Hydrostatic, all-wheel drive
Axles	Planetary rigid with enclosed oil-immersed multiple disc brakes, SAHR
Tires	9.00 R20
Speed	20.5 mph (33 km/h)
Gradeability	35%



NPK Mining Equipment
 1850 Idaho Street
 Elko, NV 89801
 Phone (775) 738-0515
 Fax (775) 738-0525
 Internet: www.npkmining.com
www.paus.de/en/

NPK Construction Equipment, Inc.
 7550 Independence Drive
 Walton Hills, OH 44146-5541
 Phone (440) 232-7900
 Toll-free (800) 225-4379
 Fax (440) 232-4382
 Internet: www.npkce.com

Each product sold by NPK Mining is subject to an express written warranty. NPK Mining makes no other warranty, express or implied, including any warranty of merchantability or fitness for any particular purpose. NPK Mining is not liable for any incidental or consequential damages. All specifications without engagement. Machines comply with the latest European safety directives. We reserve the right to make design changes.