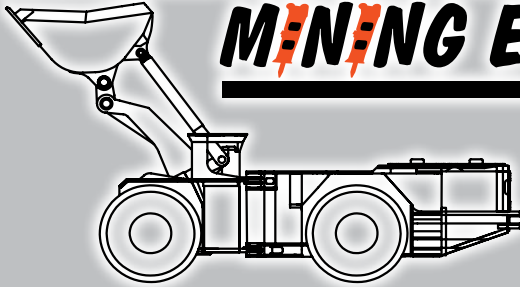
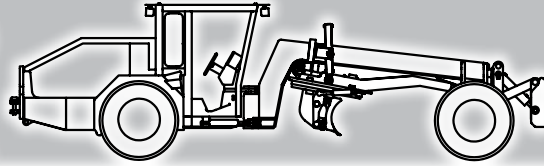


**NPK**



**MINING EQUIPMENT**

Mining and Tunneling

# Multi-Purpose Transport Vehicle



MINCA 18

# MinCa (Mining Car)

The PAUS MinCa 18 is a well-engineered concept for the transportation of passengers and materials and for special missions underground.

- All cassettes are bolt-on removable (e.g. for shaft transport)
- Hydrostatic all-wheel drive
- ROPS / FOPS
- Mine duty welded frame
- Cost-effective all-purpose vehicle
- Fast and maneuverable
- High ground clearance [ $> 12$  in. (305 mm)]
- Central lubrication bar



Excellent driving comfort resulting from innovative suspension, shock absorbers and oscillated axles



## Optional

- All-wheel steering (small turning radius)
- Air conditioning
- Enclosed cab
- Back-up camera
- Proximity detection
- 7.5 R15 tires for lower vehicle height



### Operator Station

Clearly arranged display and operating controls



### Passenger Cabin

- Comfortable and spacious
- Bench seating for optimal passenger capacity (optional)



### Maintenance

Hinged driver's cabin ensures quick and easy access for service and maintenance

# Optional Cassettes / Configurations

The platform concept ensures the all-purpose use of MinCa underground vehicles. Various cassettes can be fitted onto the basic platform:  
(Vehicle specifications may change per cassette)

- Passenger cabin
- Fuel tank
- Material transporter
- Lifting platform
- Scissor platform
- Platform with crane
- Service unit
- Pipe transporter
- Explosives transporter
- Crane
- Man basket
- Multi-tank transportation: oil / water / brine / grease
- Other versions on request



Explosives Charger



Explosives transporter



Water tank (800 gallons / 3,030 liters)



Service unit



Passenger transporter (Up to 18 people)



Loading crane with platform



Ambulance

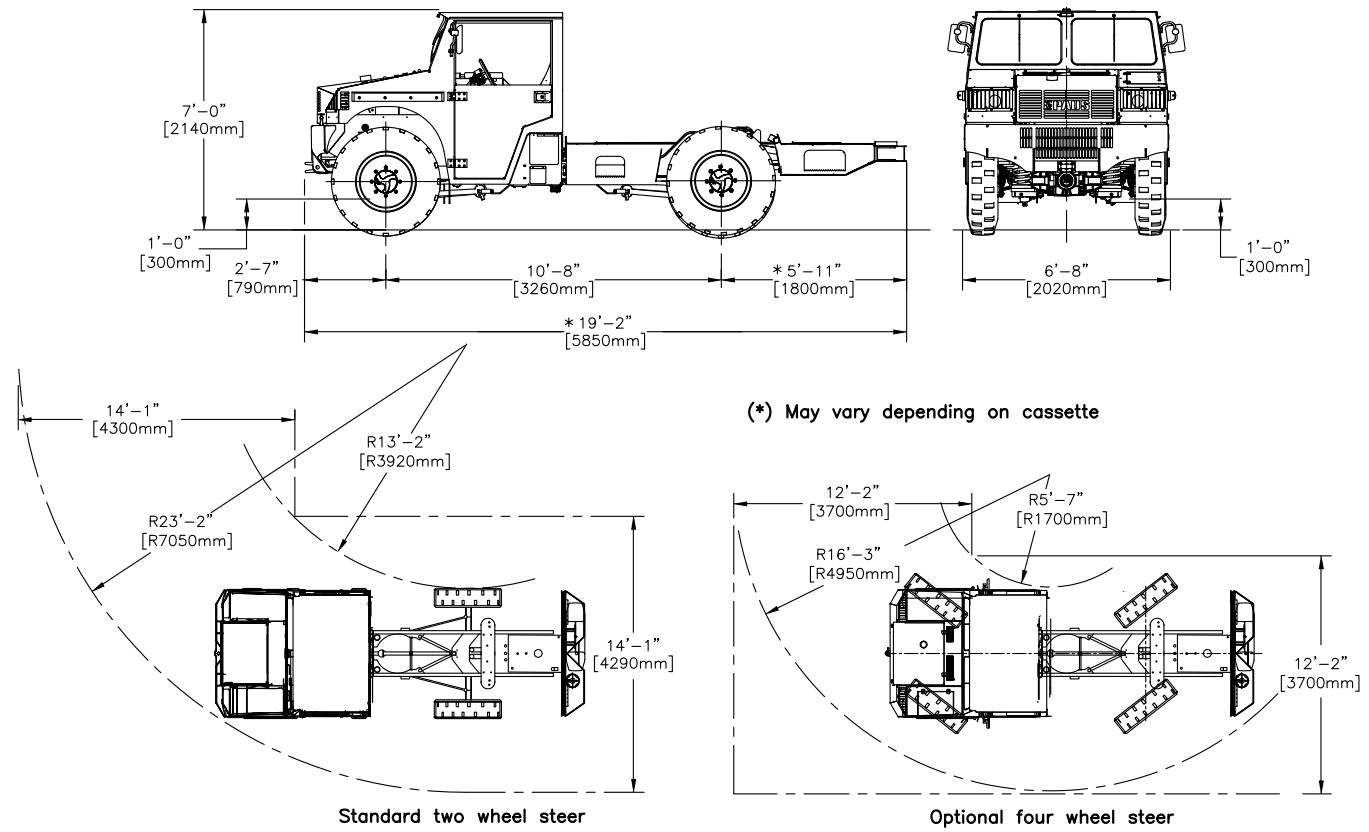


Water / Fuel Truck



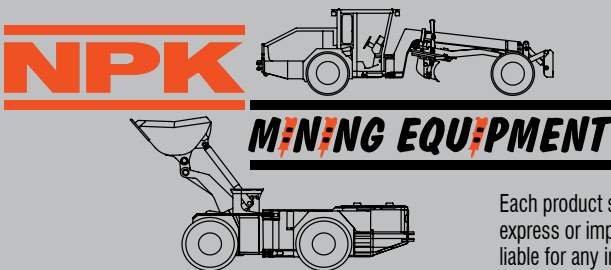
Fire Truck

# MINCA 18



## Specifications

Operating Weight (Without cassette)	Approx. 11,020 lbs (5,000 kg)
Payload	9,920 lbs (4,500 kg)
Seats	Up to 18
Engine	Deutz, TCD 3.6 L4, Tier 4i (No DEF required)
Engine Performance	Approx. 121 hp (90 kW)
Chassis	Rigid frame, coil spring suspension front and rear
Drive	Hydrostatic all-wheel drive
Axles	Planetary Rigid with enclosed oil-immersed multiple disc brakes, SAHR
Steering (four-wheel or crab)	Optional
Tires	9.00 R20
Speed	20.5 mph (33 km/h)
Gradeability	40%



**NPK Mining Equipment**  
 1850 Idaho Street  
 Elko, NV 89801  
 Phone (775) 738-0515  
 Fax (775) 738-0525  
 Internet: [www.npkmining.com](http://www.npkmining.com)  
[www.paus.de/en/](http://www.paus.de/en/)

**NPK Construction Equipment, Inc.**  
 7550 Independence Drive  
 Walton Hills, OH 44146-5541  
 Phone (440) 232-7900  
 Toll-free (800) 225-4379  
 Fax (440) 232-4382  
 Internet: [www.npkce.com](http://www.npkce.com)

Each product sold by NPK Mining is subject to an express written warranty. NPK Mining makes no other warranty, express or implied, including any warranty of merchantability or fitness for any particular purpose. NPK Mining is not liable for any incidental or consequential damages. All specifications without engagement. Machines comply with the latest European safety directives. We reserve the right to make design changes.