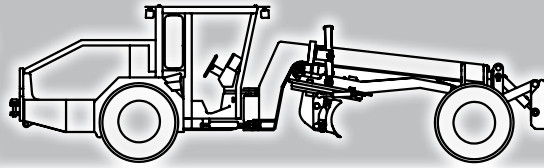
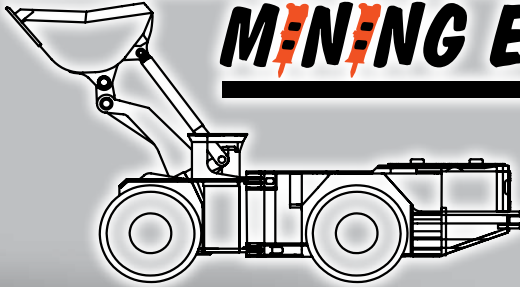


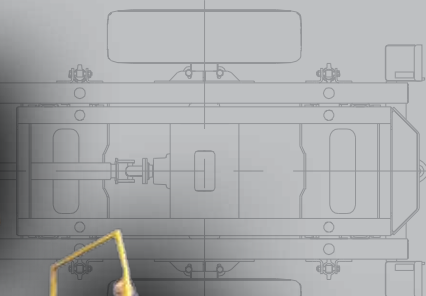
NPK



Mining Equipment



Mining and Tunneling



*All in
One*



Universa 50-2
Universa 50-3
Universa 50-4

UNIVERSA 50

PAUS UNIVERSA 50

The UNIVERSA 50 is a multipurpose utility vehicle for all kinds of underground mining applications, equipped with cassettes either mounted to a rigid frame or interchangeable to a hydraulic frame.

- Open cab ROPS/FOPS
- Sturdy chassis
- All-wheel drive
- Articulated steering
- Exceptional driver's comfort
- Excellent accessibility for maintenance work
- Room for a crew of three
- Optimum access to hydraulic system, electric system and engine
- Clearly arranged operating and supervisory devices
- Various UNIVERSA carrier vehicles available with payloads up to 33,000 lbs (15,000 kg):
UNIVERSA 50-2, UNIVERSA 50-3, UNIVERSA 50-4

Options

- Enclosed ROPS/FOPS comfortable driver's cab
- Hydraulic interchangeable cassettes
- Heating and air conditioning
- Hydrostatic drive
- Compressor
- Generator
- Catalyzer (DOC)
- Diesel particulate filter
- Back-up camera
- Outriggers for front, rear or both
- Central lubrication (semi or fully automatic)
- Fire extinguishing system (semi or fully automatic)
- Low profile dump
- Ejector bed slinger truck
- Dry concrete mixer
- Other systems and options on request

Frame is designed for quick change-out of cassettes.



Easy securing of the cassettes by means of threaded rods.



Operator's Comfort

The large driver's cab and 90° rotating driver's seat ensure optimum visibility even while reversing.



Safety

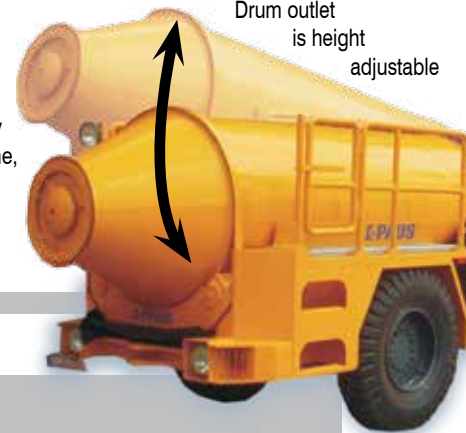
The fire extinguishing system available as an option can be activated from several points.



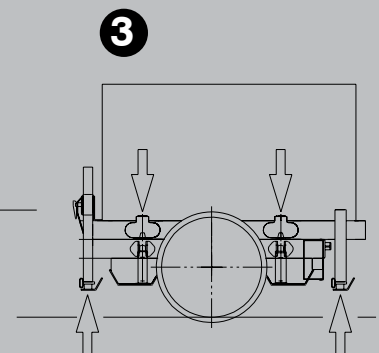
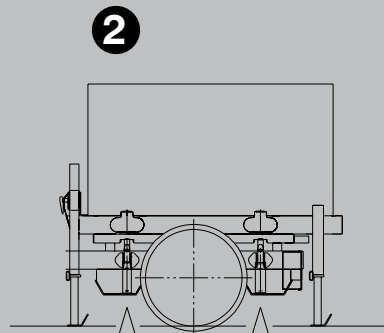
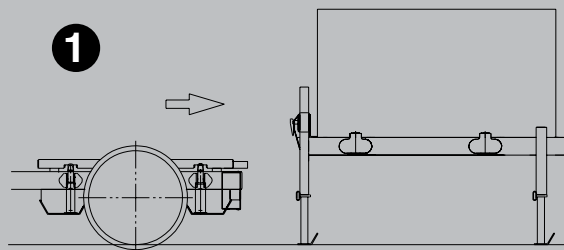
Maintenance

Comfortable maintenance of the central electric system from the front. Very good accessibility to engine, hydraulic system, filters and points of lubrication.

Mixer:
Drum outlet is height adjustable



So easy:



**5-10
min!**

1. Move vehicle under the cassette

2. Lift hydraulic frame

3. Secure cassette, retract legs and lower frame

Make your choice: all systems available with cassettes either mounted to a rigid frame or interchangeable to a hydraulic frame for multipurpose application.



Personnel cabin, crane, loading platform; up to 33,000 lbs. (15,000 kg) payload



Service Unit: different tank capacities for diesel fuel, oils, greases incl. pumps, compressed air



Personnel Transportation Cassette



Scissor Platform: up to 8800 lbs. (4000 kg) payload, platform height 11 ft. 6 in. (3500 mm) or higher



Diesel Tank / oil / water, flow meters



Working Platform: single-arm / double-arm, up to 1300 lbs. (600 kg) payload, up to 42 ft. 6 in. (13,000 mm) working height



Effective volume: Up to 6.5 yd³ (5 m³) Options: Compressor, additional tank, high-pressure cleaner



Skip up to 33,000 lbs. (15,000 kg) payload



Diesel Generator up to 200 kVA / 160 kW / 215 hp

Explosives Charger

Bulk Transfer: Manual, pneumatic system, worm gear

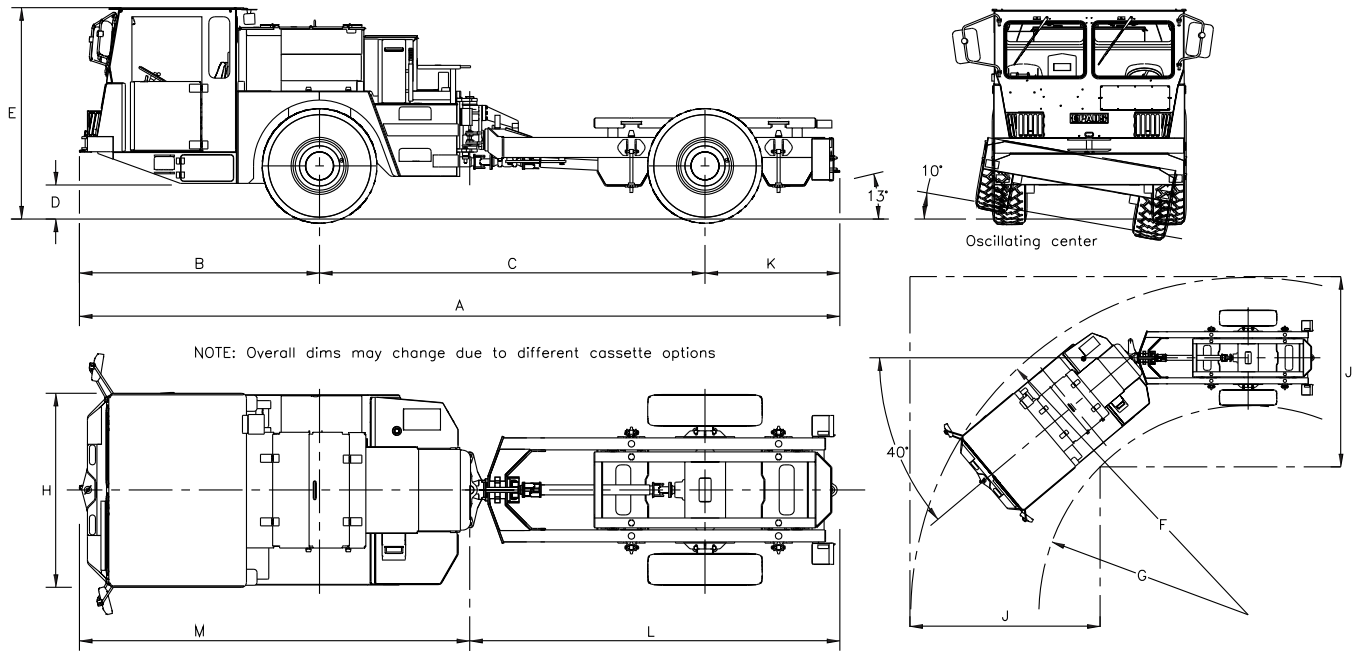


Options: Compressor, cable drum, hose pusher, working platform, manipulator



* See Explosives Charger literature for more details

UNIVERSA 50 (Cassette not shown)

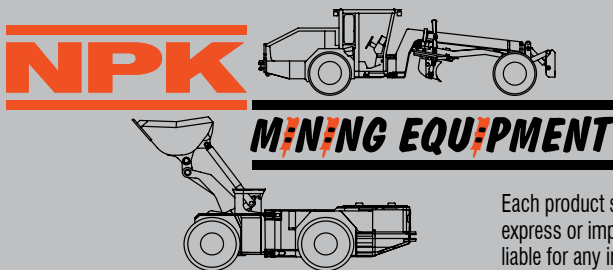


NOTE: Overall dims may change due to different cassette options

Cassettes either mounted to a rigid frame or interchangeable to a hydraulic frame.

	UNIVERSA 50-2		UNIVERSA 50-3		UNIVERSA 50-4	
Payload	22,000 lbs (10,000 kg)		22,000 lbs (10,000 kg)		33,000 lbs (15,000 kg)	
Operating Weight (without cassette)	17,600 lb (8,000 kg)		19,800 lb (9,000 kg)		22,000 lb (10,000 kg)	
Engine	Cummins or DEUTZ, water-cooled					
Engine Performance	130 hp (95 kW)		164 hp (122 kW)		173 hp (129 kW)	
Chassis	Stable chassis with articulated steering					
Drive	Hydrodynamic power shift all-wheel drive					
Axles	Planetary rigid with enclosed oil-immersed multiple-disc brakes, SAHR					
Tires	12.00 R20		12.00 R20		12.00 R24	
Speed	15.5 mph (25 km/h)		12.5 mph (20 km/h)		15.5 mph (25 km/h)	
Gradeability	35 %					
Approx. Dimensions*						
A	24' 9"	(7550 mm)	24' 9"	(7550 mm)	26' 1"	(7950 mm)
B	7' 10"	(2380 mm)	7' 10"	(2380 mm)	7' 10"	(2380 mm)
C	12' 8"	(3850 mm)	12' 8"	(3850 mm)	13' 5"	(4100 mm)
D	1' 2"	(350 mm)	1' 2"	(350 mm)	1' 7"	(480 mm)
E	7' 0"	(2140 mm)	7' 0"	(2140 mm)	7' 4"	(2230 mm)
F	22' 2"	(6750 mm)	22' 2"	(6750 mm)	23' 4"	(7100 mm)
G	13' 7"	(4150 mm)	13' 7"	(4150 mm)	14' 5"	(4400 mm)
H	6' 3"	(1900 mm)	6' 3"	(1900 mm)	6' 11"	(2100 mm)
J	12' 6"	(3800 mm)	12' 6"	(3800 mm)	13' 1"	(4000 mm)
K	4' 4"	(1320 mm)	4' 4"	(1320 mm)	4' 10"	(1470 mm)
L	12' 9"	(3900 mm)	12' 9"	(3900 mm)	13' 0"	(3970 mm)
M	12' 0"	(3650 mm)	12' 0"	(3650 mm)	13' 1"	(3980 mm)

* Depending on the cassette dimensions (may vary).



NPK Mining Equipment
 1850 Idaho Street
 Elko, NV 89801
 Phone (775) 738-0515
 Fax (775) 738-0525
 Internet: www.npkmining.com
www.paus.de/en/

NPK Construction Equipment, Inc.
 7550 Independence Drive
 Walton Hills, OH 44146-5541
 Phone (440) 232-7900
 Toll-free (800) 225-4379
 Fax (440) 232-4382
 Internet: www.npkce.com

Each product sold by NPK Mining is subject to an express written warranty. NPK Mining makes no other warranty, express or implied, including any warranty of merchantability or fitness for any particular purpose. NPK Mining is not liable for any incidental or consequential damages. All specifications without engagement. Machines comply with the latest European safety directives. We reserve the right to make design changes.