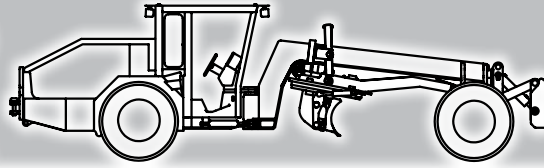
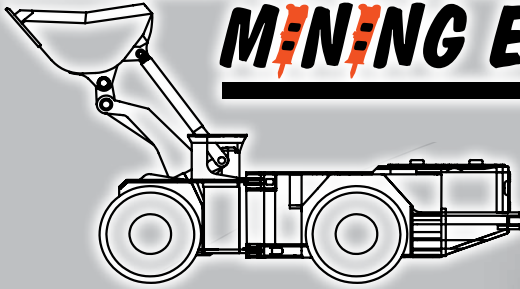


NPK



MINING EQUIPMENT



Mining and Tunneling



853 S8
1253 S10

SCALERS

PAUS 853 S8 / 1253 S10 Scaler

The combination of articulated steering (+/- 40°) and a pivot-able boom (+/- 45°) guarantee unmatched maneuverability of the Paus 853 S8 and 1253 S10 Scalers. Hydrostatic drive not only allows rapid movement underground but sets new benchmarks in terms of safety, service-friendliness and availability.

- Powerful Hammer for sensitive scaling (100° vertical pivot range)
- Minimal fuel consumption thanks to automatic revolution control
- ROPS/FOPS driver safety roof with an additional rock guard protective grid
- Working height of 26ft 2in/32ft 10in (8,000mm / 10,000mm): vehicle height min. 8ft 2in/9ft 2in (2500mm / 2800mm)
- Separate tanks for working and vehicle hydraulics
- Maintenance-friendly: all engine components and filters are readily accessible
- Dozer blade guarantees a clear floor area and secure base
- Safe distance from scaling point thanks to telescopic boom



All mechanical functions can be operated by remote control (optional)



Operation

All functions can be called up in 3 modes:
1. Driving mode
2. Scaling mode
3. Remote control mode



User Convenience

- Spacious cabin with excellent vision
- Ergonomic driver's seat
- Enclosed cab with heat and air conditioning (optional)



LCD-Display

All joystick functions are shown on the display



Lubrication

- Central lubrication (optional)
- Separate automatic chisel lubrication (optional)



NPK Hydraulic Hammer

- Robust design including anti-blank fire function



Pneumatic System

- Automatic pressurized chisel greasing (optional)
- Dust suppression system-water & air systems (optional)



A timed impact pulse results in precise scaling. This in turn prevents roof damage and improves roof safety.



Option:

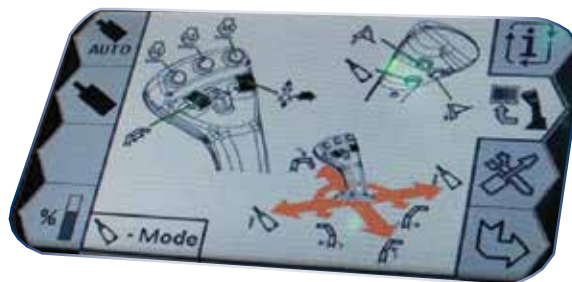
Paus innovation for enhanced convenience and safety: the IntelliScale option is a CAN-bus-based control system that networks key mechanical components with the hammer. A number of parameters, like engine speed and hammer impact rate, are automatically and perfectly coordinated with each other, thereby preventing operating mistakes.



Emergency escape mode: The telescope and dozer blade are retracted automatically and reverse movement is started



All functions can be called up on the display

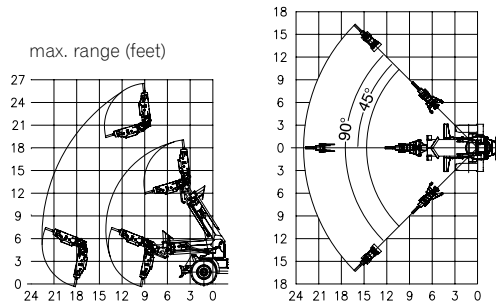
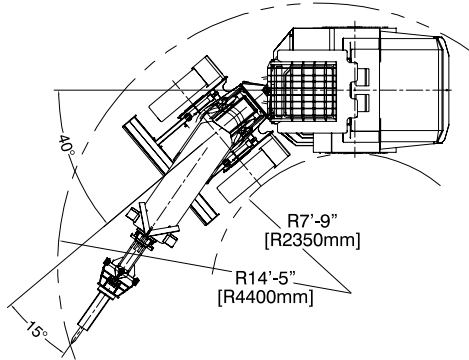
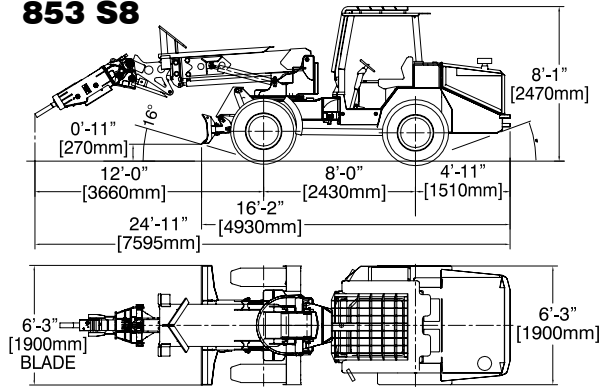


Display visualization of all joystick functions

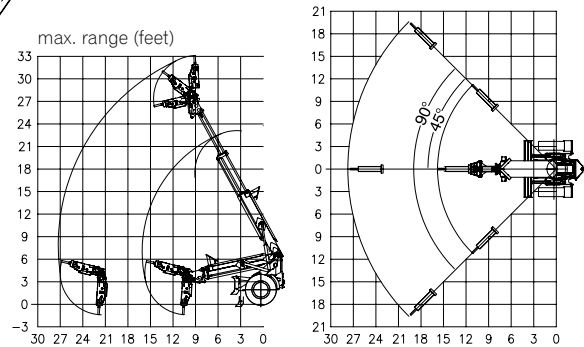
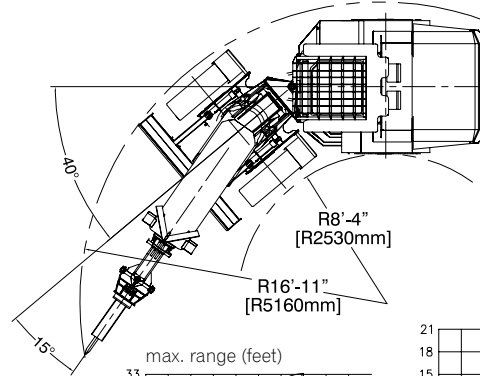
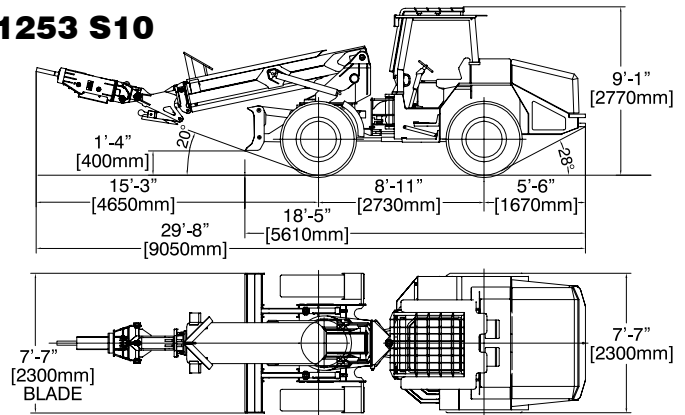
Modular control and display replace numerous operating and display elements

- Digital diagnostics
- Maintenance intervals can be called up
- Integrated error memory
- Warning messages displayed

853 S8



1253 S10

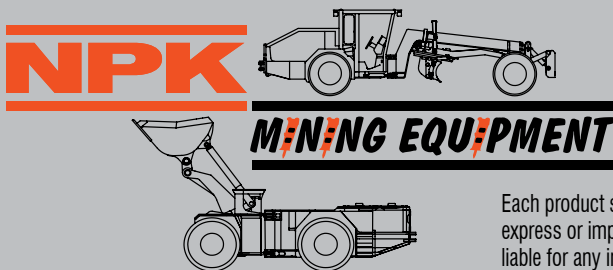


853 S8

1253 S10

Operating Weight	19,300 lbs (8,750 kg)	27,500 lbs (12,500 kg)
Engine (Other engines available)	Deutz 125 hp (93 kW)	Deutz 131 hp (98 kW)
Drive	Hydrostatic all-wheel drive	
Chassis	Articulated	
Front Axle	Fixed, planetary rigid with enclosed oil-immersed multiple disc brakes, SAHR	
Rear Axle	Locking, oscillating planetary rigid with enclosed oil-immersed multiple disc brakes, SAHR	
Tires	9.00 R20	15.5 R25
Speed	11.2 mph (18 km / h)	12.5 mph (20 km / h)
Gradeability	35%	

Dimensions and weights are approximate



NPK Mining Equipment
 1850 Idaho Street
 Elko, NV 89801
 Phone (775) 738-0515
 Fax (775) 738-0525
 Internet: www.npkmining.com
www.paus.de/en/

NPK Construction Equipment, Inc.
 7550 Independence Drive
 Walton Hills, OH 44146-5541
 Phone (440) 232-7900
 Toll-free (800) 225-4379
 Fax (440) 232-4382
 Internet: www.npkce.com

Each product sold by NPK Mining is subject to an express written warranty. NPK Mining makes no other warranty, express or implied, including any warranty of merchantability or fitness for any particular purpose. NPK Mining is not liable for any incidental or consequential damages. All specifications without engagement. Machines comply with the latest European safety directives. We reserve the right to make design changes.